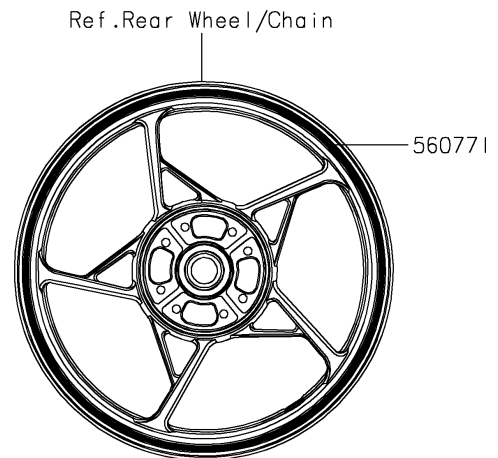
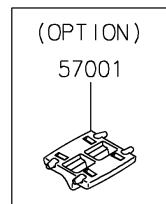
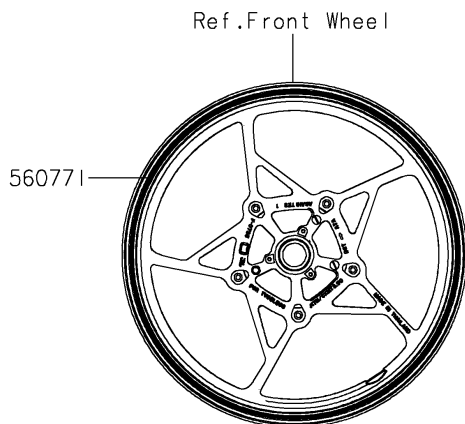
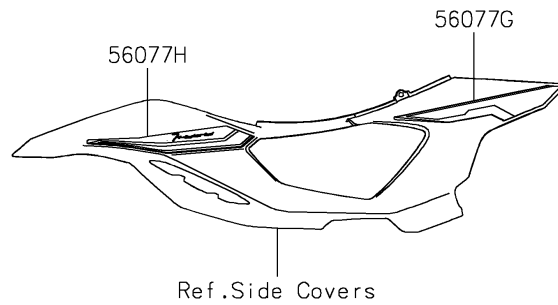
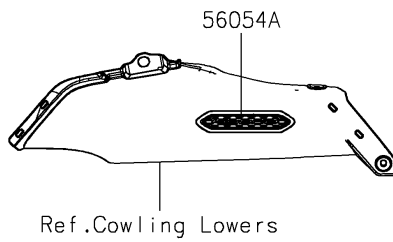
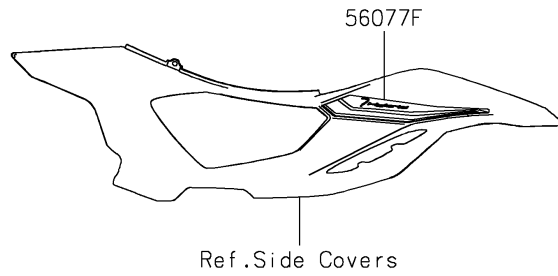
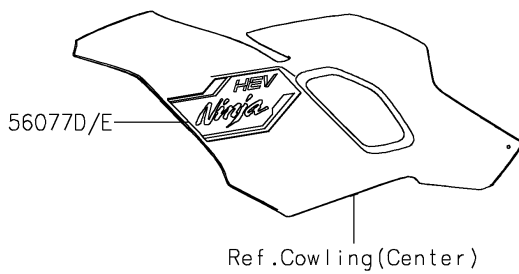
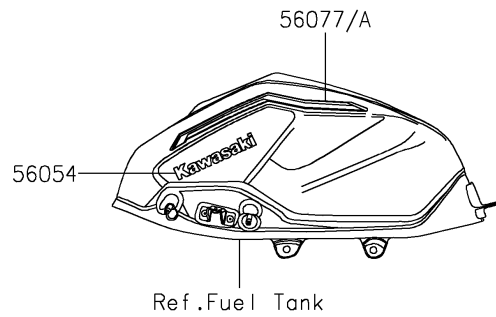
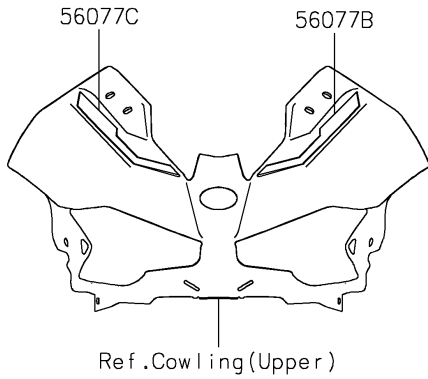


2024 NINJA® 7 HYBRID ABS PARTS DIAGRAM

Decals

F2861



2024 NINJA® 7 HYBRID ABS PARTS LIST

Decals

ITEM NAME	PART NUMBER	QUANTITY
MARK,FUEL TANK,KAWASAKI (Ref # 56054)	56054-2395	2
MARK,DUCT COVER,HYBRID (Ref # 56054A)	56054-3937	1
PATTERN,FUEL TANK,LH (Ref # 56077)	56077-0894	1
PATTERN,FUEL TANK,RH (Ref # 56077A)	56077-0895	1
PATTERN,UPP COWL.,LH (Ref # 56077B)	56077-1003	1
PATTERN,UPP COWL.,RH (Ref # 56077C)	56077-1004	1
PATTERN,SIDE COWL.,LH (Ref # 56077D)	56077-1005	1
PATTERN,SIDE COWL.,RH (Ref # 56077E)	56077-1006	1
PATTERN,SIDE COVER,LH,RR (Ref # 56077F)	56077-1007	1
PATTERN,SIDE COVER,RH,FR (Ref # 56077G)	56077-1008	1
PATTERN,SIDE COVER,RH,RR (Ref # 56077H)	56077-1009	1
PATTERN,WHEEL,GREEN,1409X6 (Ref # 56077I)	56077-1012	4
RIM STRIPE APPLICATOR (Ref # 57001)	57001-1752	AR