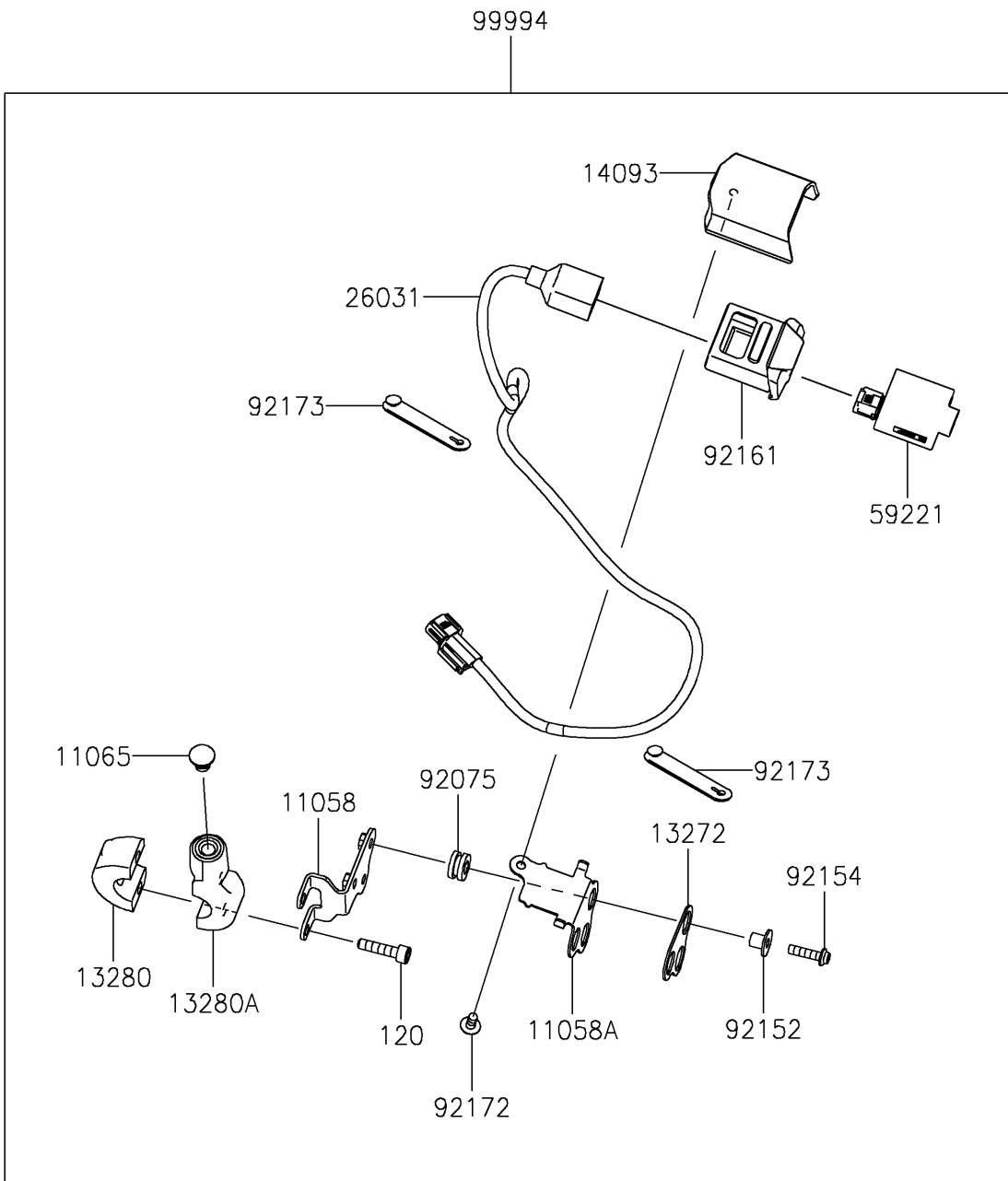


2024 NINJA® 7 HYBRID ABS PARTS DIAGRAM

Accessory(USB Output)

F2910B



2024 NINJA® 7 HYBRID ABS PARTS LIST

Accessory(USB Output)

ITEM NAME	PART NUMBER	QUANTITY
BRACKET (Ref # 11058)	11058-1566	1
BRACKET (Ref # 11058A)	11058-1567	1
CAP,DUMMY (Ref # 11065)	11065-0921	1
PLATE (Ref # 13272)	13272-4396	1
HOLDER (Ref # 13280)	13280-1369	1
HOLDER (Ref # 13280A)	13280-1370	1
COVER,USB (Ref # 14093)	14093-1458	1
HARNESS,USB CHARGER (Ref # 26031)	26031-4061	1
CONNECTOR-CORD,USB TYPE-C (Ref # 59221)	59221-0022	1
DAMPER (Ref # 92075)	92075-1912	3
COLLAR (Ref # 92152)	92152-0134	3
BOLT,SOCKET,5X20 (Ref # 92154)	92154-0829	3
DAMPER (Ref # 92161)	92161-2497	1
SCREW,5X10 (Ref # 92172)	92172-1194	1
CLAMP (Ref # 92173)	92173-2199	2
USB TYPE-C (Ref # 99994)	99994-1980	1
BOLT-SOCKET,6X25 (Ref # 120)	120CB0625	2