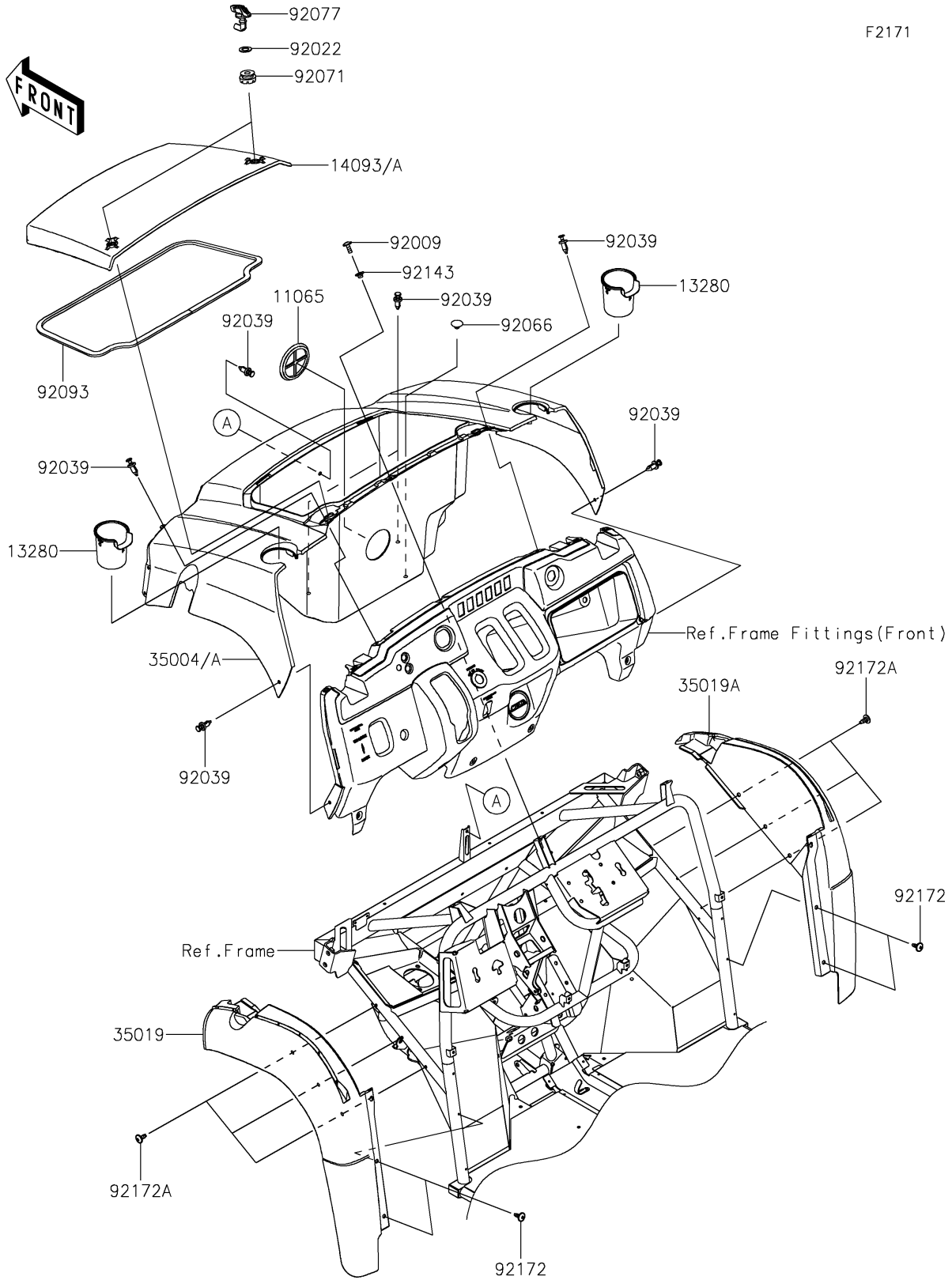


2021 MULE SX™ 4x4 FI PARTS DIAGRAM

Front Fender(s)



F2171

2021 MULE SX™ 4x4 FI PARTS LIST

Front Fender(s)

| ITEM NAME | PART NUMBER | QUANTITY |
|-------------------------------------|----------------|----------|
| CAP,F.BLACK (Ref # 11065) | 11065-1053-6Z | 1 |
| HOLDER (Ref # 13280) | 13280-0879 | 2 |
| COVER,HOOD,D.R.RED (Ref # 14093) | 14093-0390-16L | 1 |
| COVER,HOOD,T.GREEN (Ref # 14093A) | 14093-0390-42S | 1 |
| FENDER-FRONT,D.R.RED (Ref # 35004) | 35004-0355-16L | 1 |
| FENDER-FRONT,T.GREEN (Ref # 35004A) | 35004-0355-42S | 1 |
| FLAP,LH (Ref # 35019) | 35019-0608 | 1 |
| FLAP,RH (Ref # 35019A) | 35019-0609 | 1 |
| SCREW,6X16 (Ref # 92009) | 92009-1621 | 1 |
| WASHER,12.5X22X1.2 (Ref # 92022) | 92022-072 | 2 |
| RIVET (Ref # 92039) | 92039-0776 | 7 |
| PLUG (Ref # 92066) | 92066-1485 | 1 |
| GROMMET (Ref # 92071) | 92071-0746 | 2 |
| KNOB (Ref # 92077) | 92077-0033 | 2 |
| SEAL,6X15X1755 (Ref # 92093) | 92093-0688 | 1 |
| COLLAR (Ref # 92143) | 92143-1057 | 1 |
| SCREW,6X16 (Ref # 92172) | 92172-0711 | 4 |
| SCREW,6X16 (Ref # 92172A) | 92172-0826 | 6 |