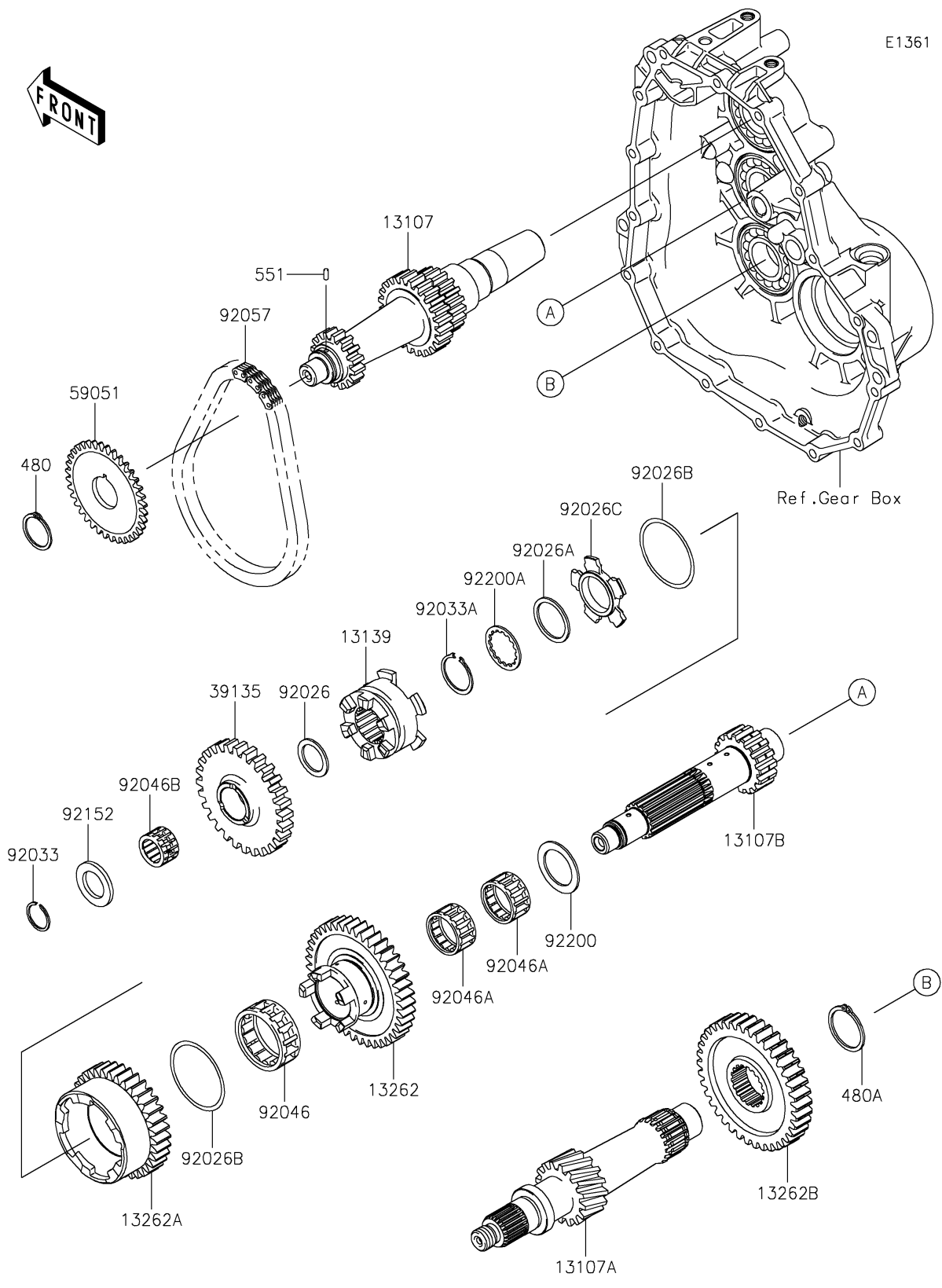


2021 MULE SX™ 4x4 XC FI PARTS DIAGRAM

Transmission



2021 MULE SX™ 4x4 XC FI PARTS LIST

Transmission

ITEM NAME	PART NUMBER	QUANTITY
-----------	-------------	----------