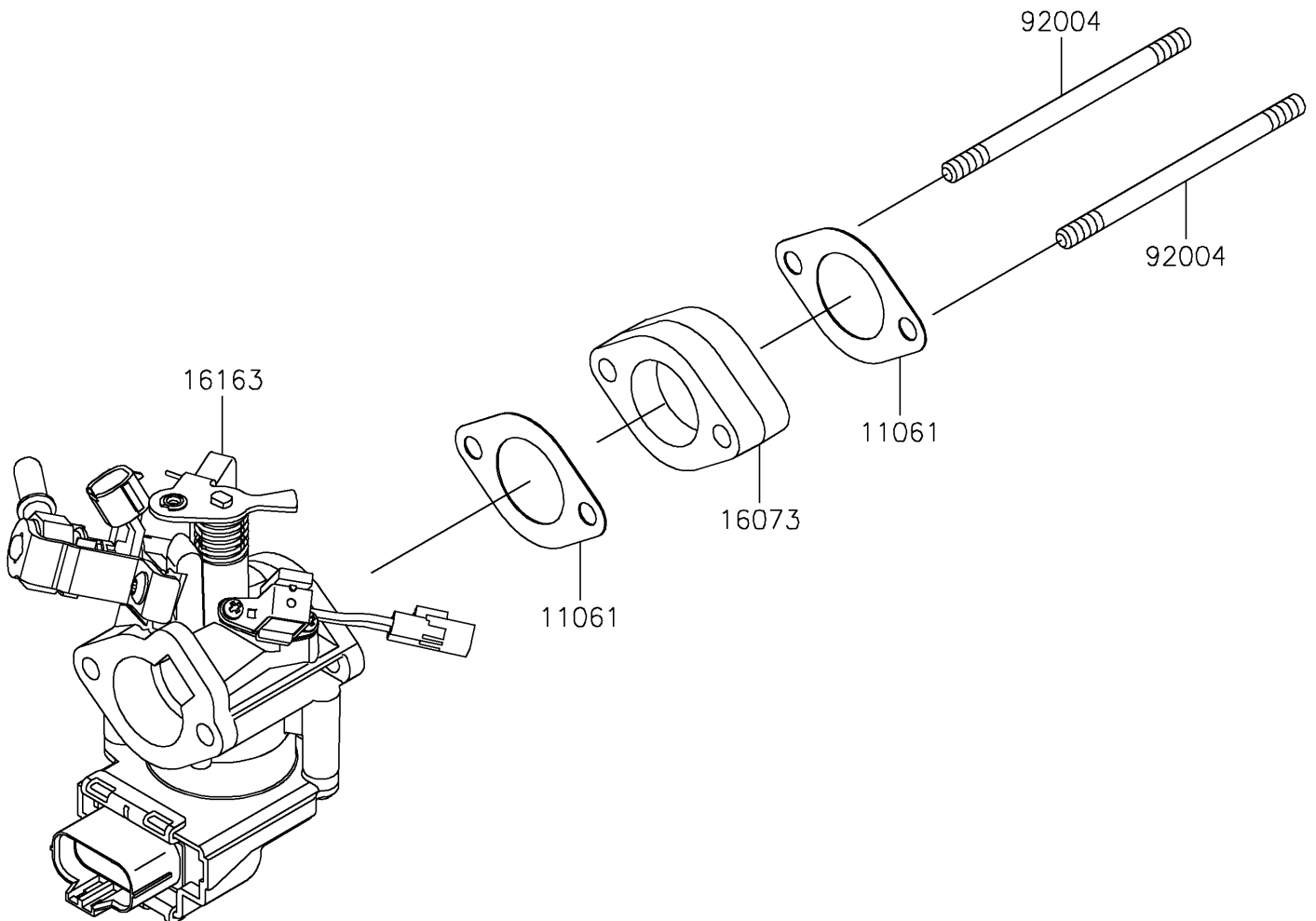


# 2021 MULE SX™ 4x4 XC FI PARTS DIAGRAM

Throttle

E1510



# 2021 MULE SX™ 4x4 XC FI PARTS LIST

Throttle

ITEM NAME	PART NUMBER	QUANTITY
-----------	-------------	----------