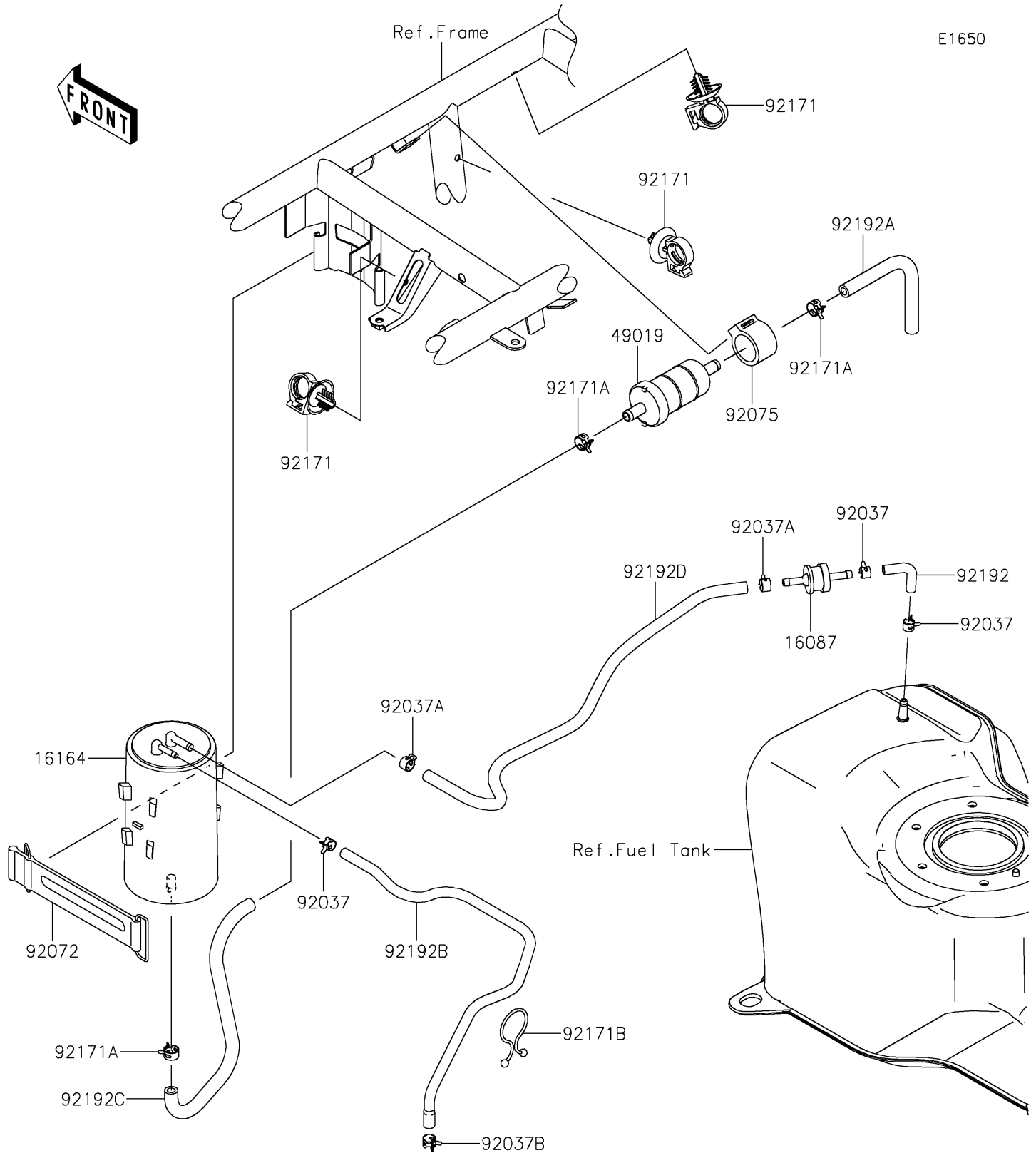


# 2021 MULE SX™ 4x4 XC FI PARTS DIAGRAM

## Fuel Evaporative System



# 2021 MULE SX™ 4x4 XC FI PARTS LIST

Fuel Evaporative System

ITEM NAME	PART NUMBER	QUANTITY
-----------	-------------	----------