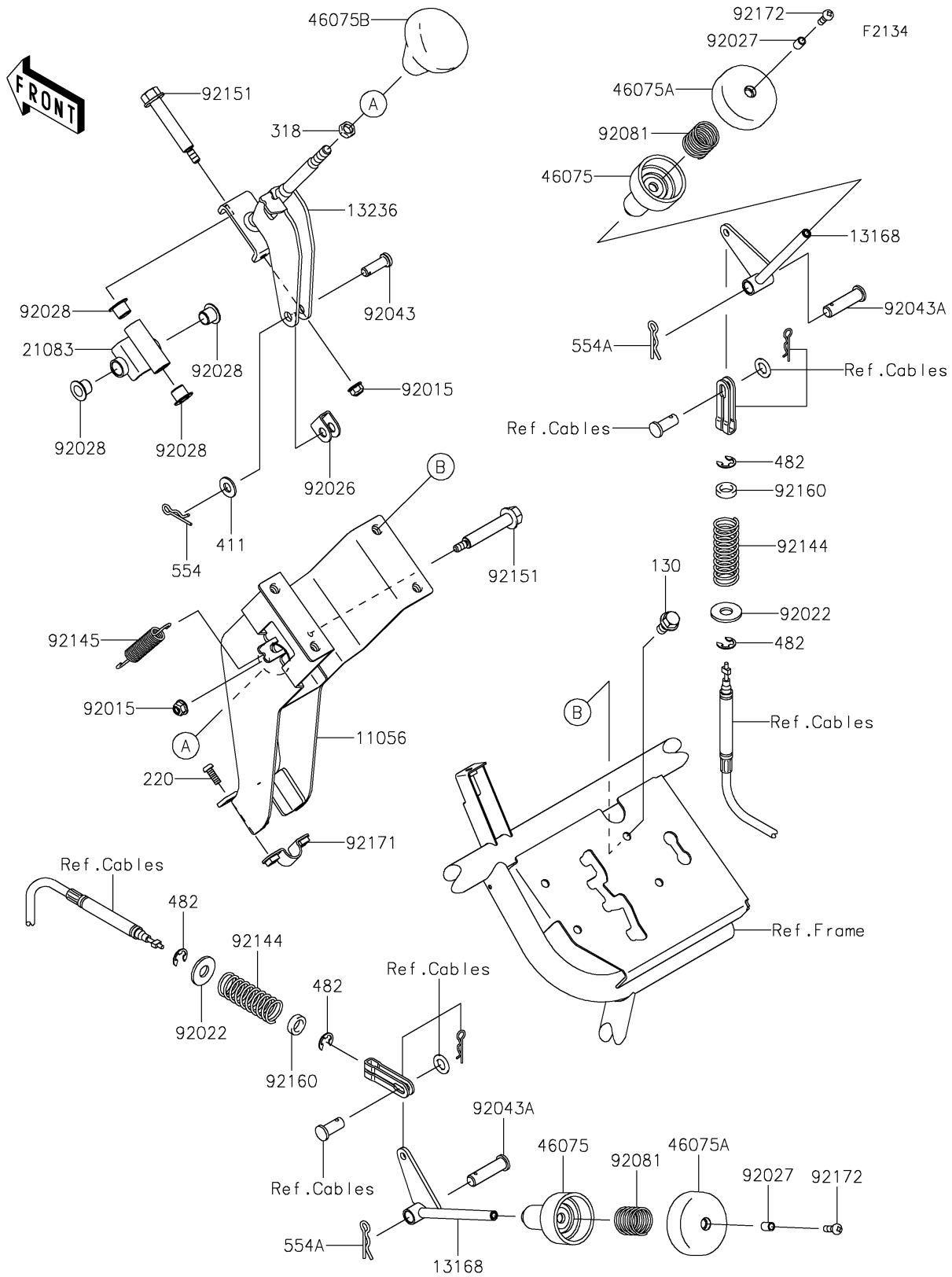


# 2021 MULE SX™ 4x4 XC FI PARTS DIAGRAM

Shift Lever(s)



# 2021 MULE SX™ 4x4 XC FI PARTS LIST

Shift Lever(s)

ITEM NAME	PART NUMBER	QUANTITY
-----------	-------------	----------