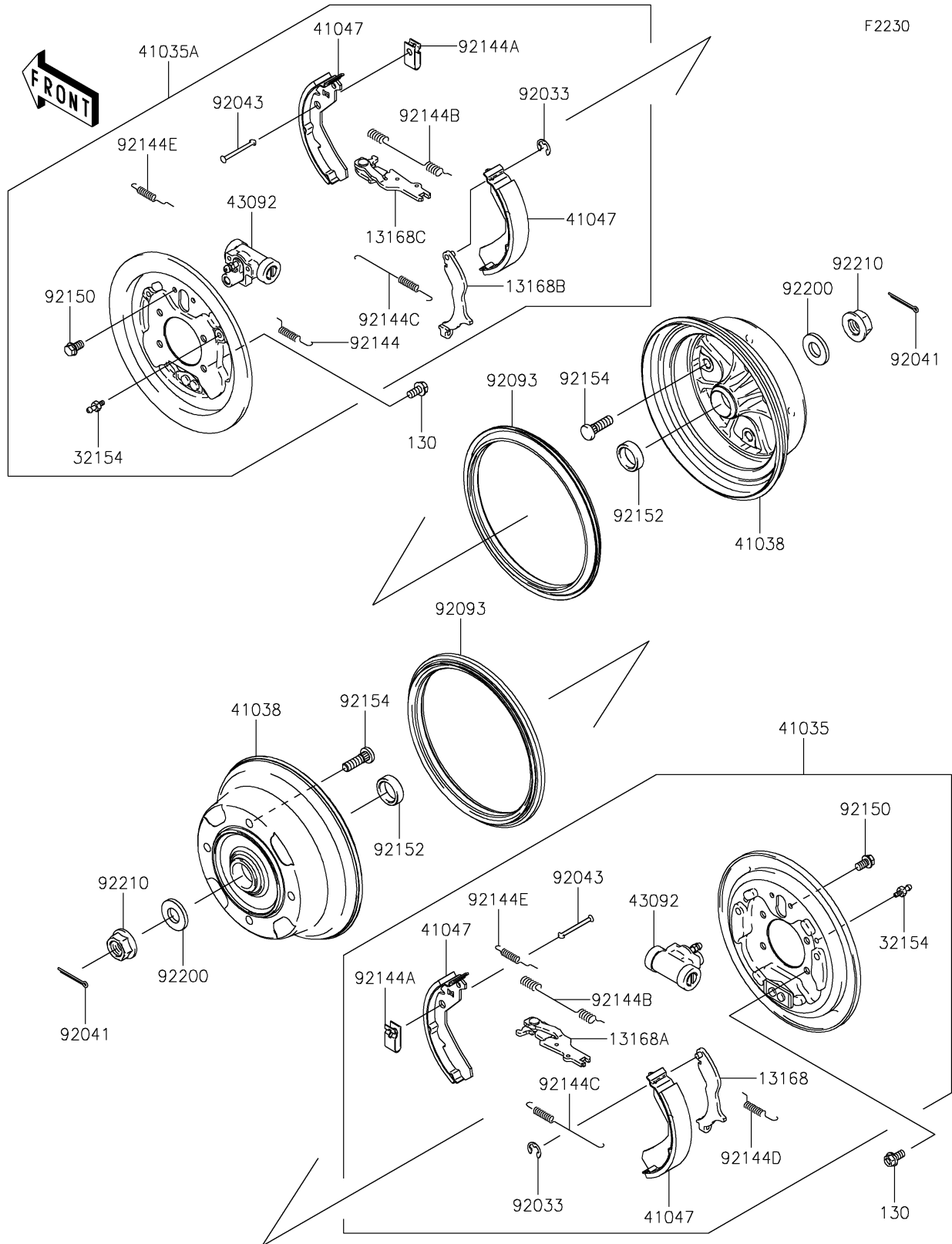


# 2021 MULE SX™ 4x4 XC FI PARTS DIAGRAM

## Front Hubs/Brakes



# 2021 MULE SX™ 4x4 XC FI PARTS LIST

Front Hubs/Brakes

ITEM NAME	PART NUMBER	QUANTITY
-----------	-------------	----------