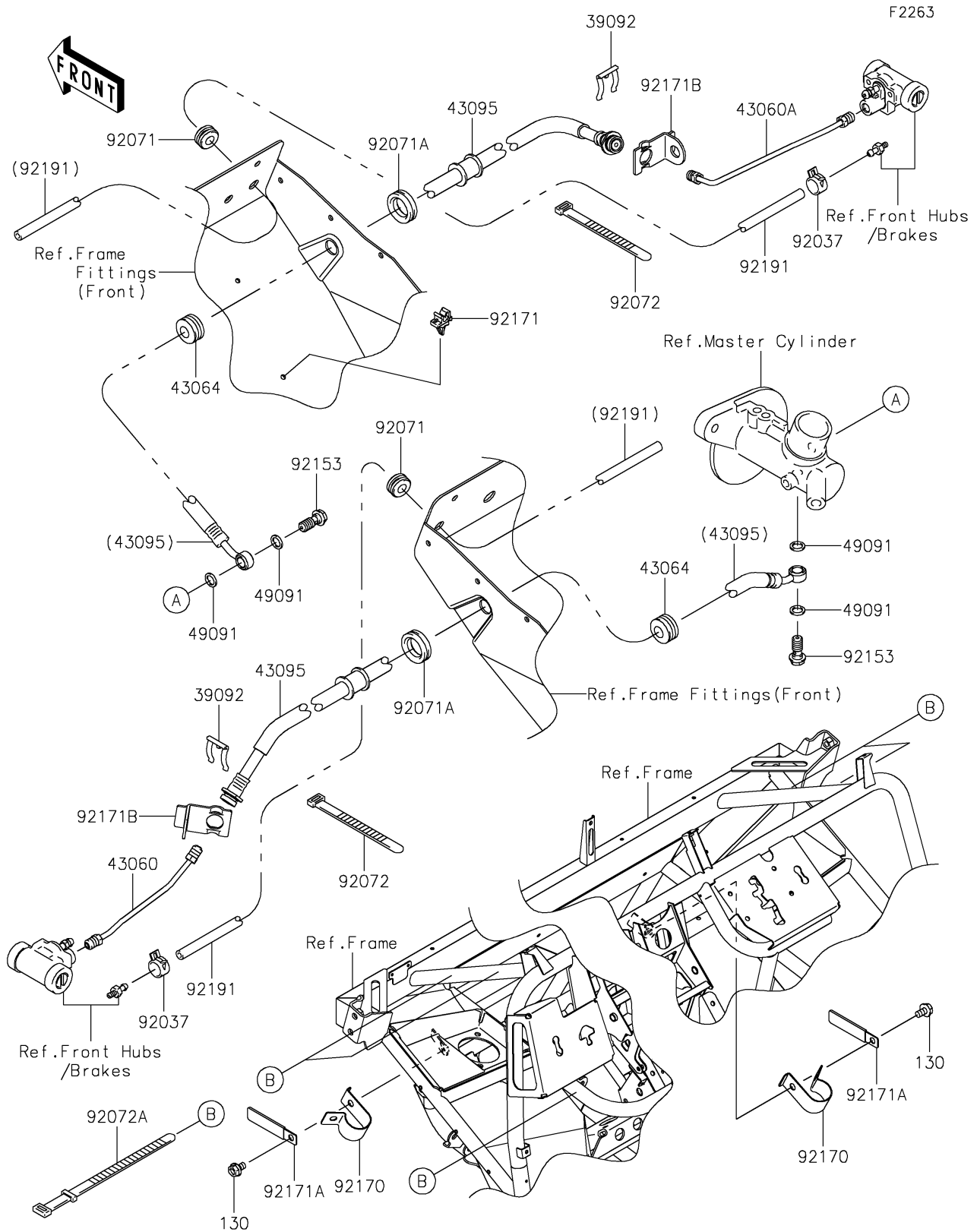


# 2022 MULE SX™ 4x4 XC FI PARTS DIAGRAM

## Front Brake Piping



# 2022 MULE SX™ 4x4 XC FI PARTS LIST

Front Brake Piping

ITEM NAME	PART NUMBER	QUANTITY
-----------	-------------	----------