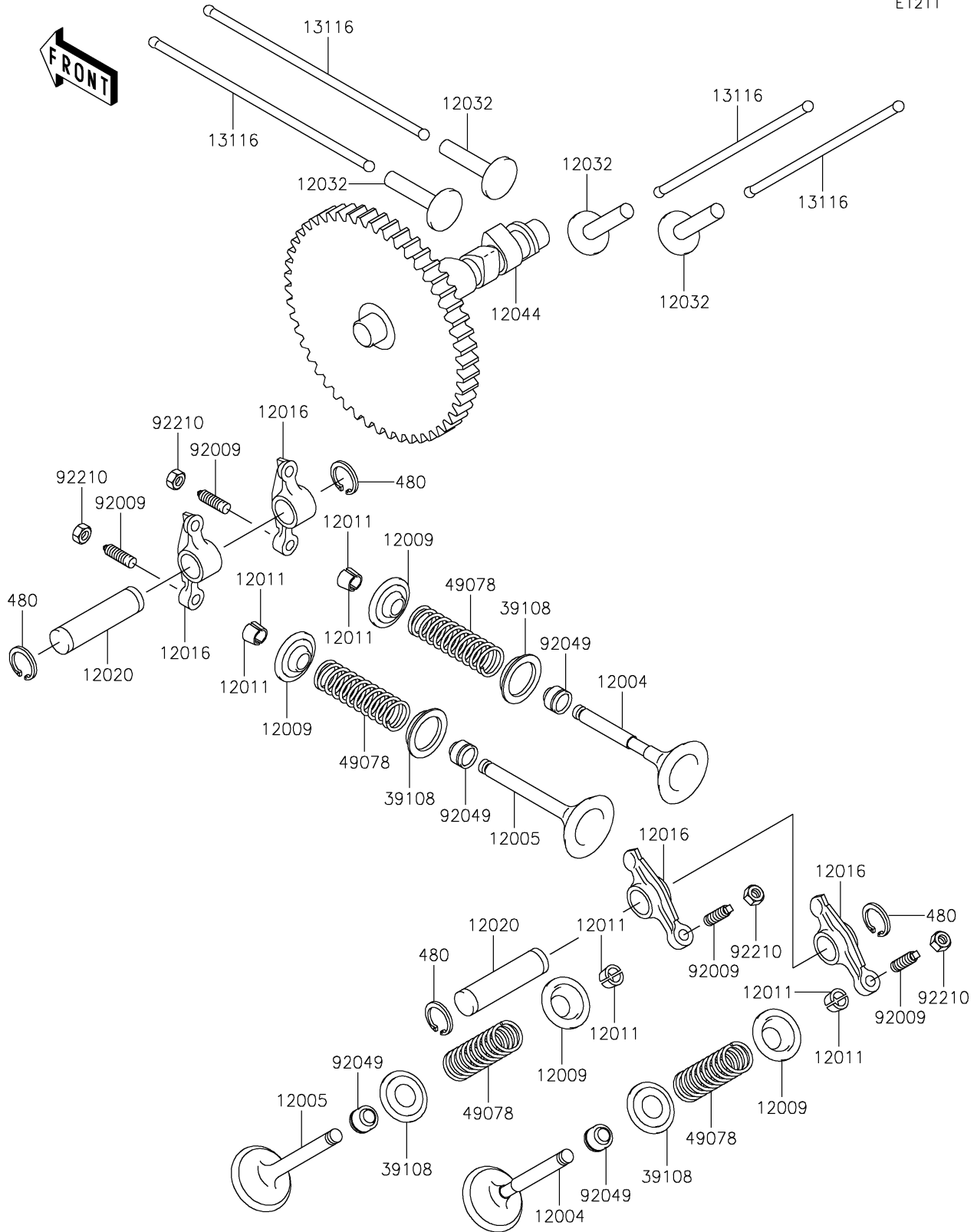


# 2021 MULE™ 4010 4x4 PARTS DIAGRAM

Valve(s)/Camshaft(s)

E1211



## 2021 MULE™ 4010 4x4 PARTS LIST

Valve(s)/Camshaft(s)

| ITEM NAME                           | PART NUMBER | QUANTITY |
|-------------------------------------|-------------|----------|
| VALVE-INTAKE (Ref # 12004)          | 12004-2115  | 2        |
| VALVE-EXHAUST (Ref # 12005)         | 12005-2093  | 2        |
| RETAINER-VALVE SPRING (Ref # 12009) | 12009-2067  | 4        |
| COLLET (Ref # 12011)                | 12011-2056  | 8        |
| ARM-ROCKER (Ref # 12016)            | 12016-2056  | 4        |
| SHAFT-ROCKER (Ref # 12020)          | 12020-2059  | 2        |
| TAPPET (Ref # 12032)                | 12032-2064  | 4        |
| CAMSHAFT-VALVE (Ref # 12044)        | 12044-0956  | 1        |
| ROD-PUSH (Ref # 13116)              | 13116-2057  | 4        |
| RETAINER-SPRING (Ref # 39108)       | 39108-2057  | 4        |
| SPRING-ENGINE VALVE (Ref # 49078)   | 49078-2082  | 4        |
| SCREW,VALVE ADJUST (Ref # 92009)    | 92009-1109  | 4        |
| SEAL-OIL (Ref # 92049)              | 92049-2109  | 4        |
| NUT,VALVE ADJUST LOCK (Ref # 92210) | 92210-1491  | 4        |
| CIRCLIP-TYPE-C,12MM (Ref # 480)     | 480J1200    | 4        |