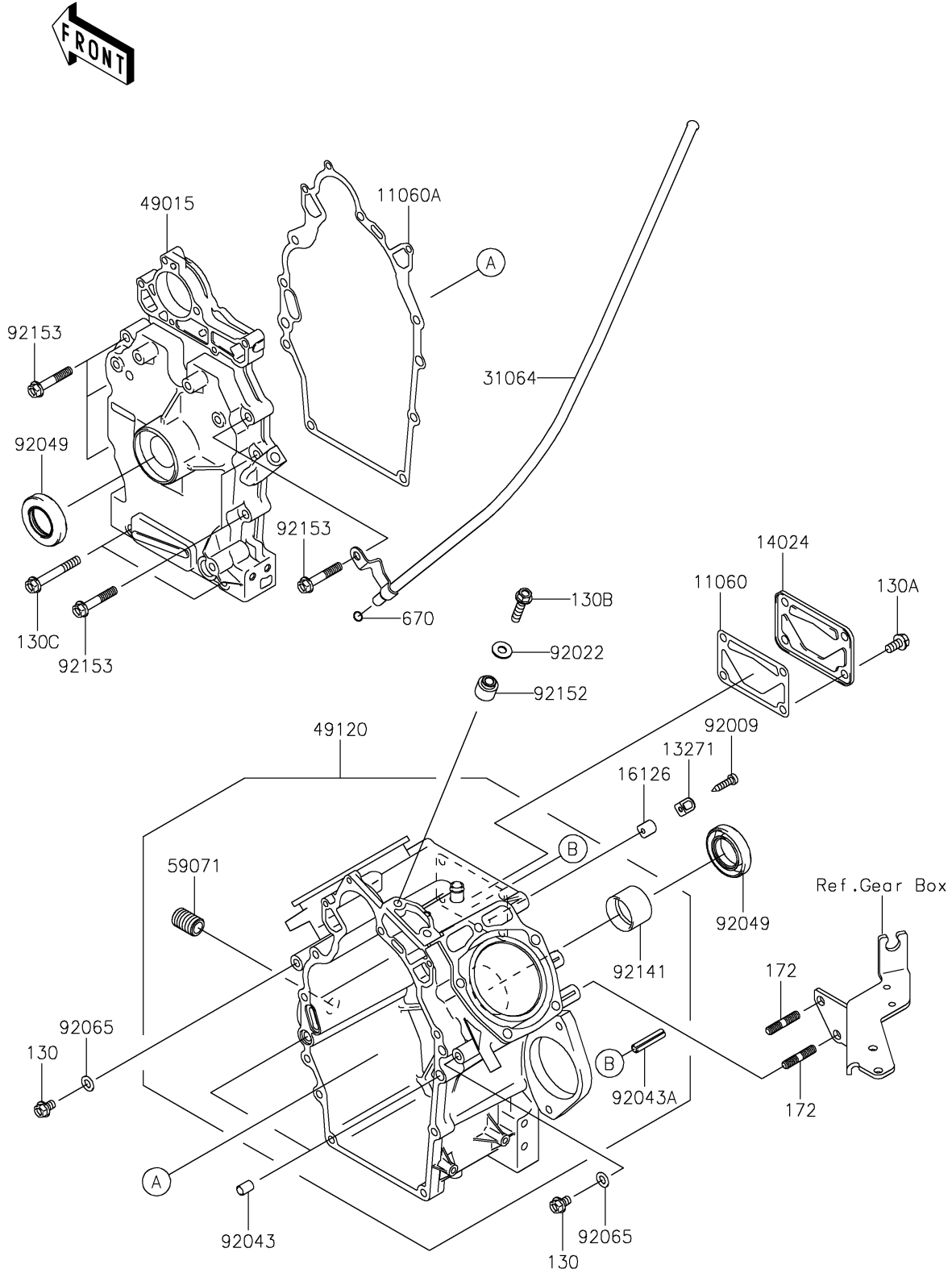


2021 MULE™ 4000 PARTS DIAGRAM

Crankcase

E1411



2021 MULE™ 4000 PARTS LIST

Crankcase

| ITEM NAME | PART NUMBER | QUANTITY |
|---------------------------------------|-------------|----------|
| GASKET,BREATHER,COVER (Ref # 11060) | 11060-2089 | 1 |
| GASKET,CRANKCASE COVER (Ref # 11060A) | 11060-2449 | 1 |
| PLATE (Ref # 13271) | 13271-2054 | 1 |
| COVER (Ref # 14024) | 14024-2292 | 1 |
| VALVE (Ref # 16126) | 16126-2146 | 1 |
| PIPE-COMP (Ref # 31064) | 31064-0713 | 1 |
| COVER-CRANKCASE (Ref # 49015) | 49015-6324 | 1 |
| CRANKCASE-COMP (Ref # 49120) | 49120-0847 | 1 |
| JOINT (Ref # 59071) | 59071-0733 | 1 |
| SCREW (Ref # 92009) | 92009-2308 | 1 |
| WASHER,8.5X20X1.6 (Ref # 92022) | 92022-1561 | 1 |
| PIN,DOWEL,10X14 (Ref # 92043) | 92043-1037 | 2 |
| PIN,2X25 (Ref # 92043A) | 92043-2227 | 1 |
| SEAL-OIL (Ref # 92049) | 92049-2112 | 2 |
| GASKET,8.5X16X1 (Ref # 92065) | 92065-023 | 2 |
| BEARING-PLANE (Ref # 92141) | 92141-2122 | 1 |
| COLLAR (Ref # 92152) | 92152-1901 | 1 |
| BOLT,FLANGED,8X45 (Ref # 92153) | 92153-2130 | 6 |
| BOLT-FLANGED,8X12 (Ref # 130) | 130AB0812 | 2 |
| BOLT-FLANGED,8X16 (Ref # 130A) | 130BA0816 | 4 |
| BOLT-FLANGED,8X35 (Ref # 130B) | 130BA0835 | 1 |
| BOLT-FLANGED,8X60 (Ref # 130C) | 130CA0860 | 2 |
| BOLT-STUD,8X25 (Ref # 172) | 172BA0825 | 2 |
| O RING,10MM (Ref # 670) | 670B2010 | 1 |