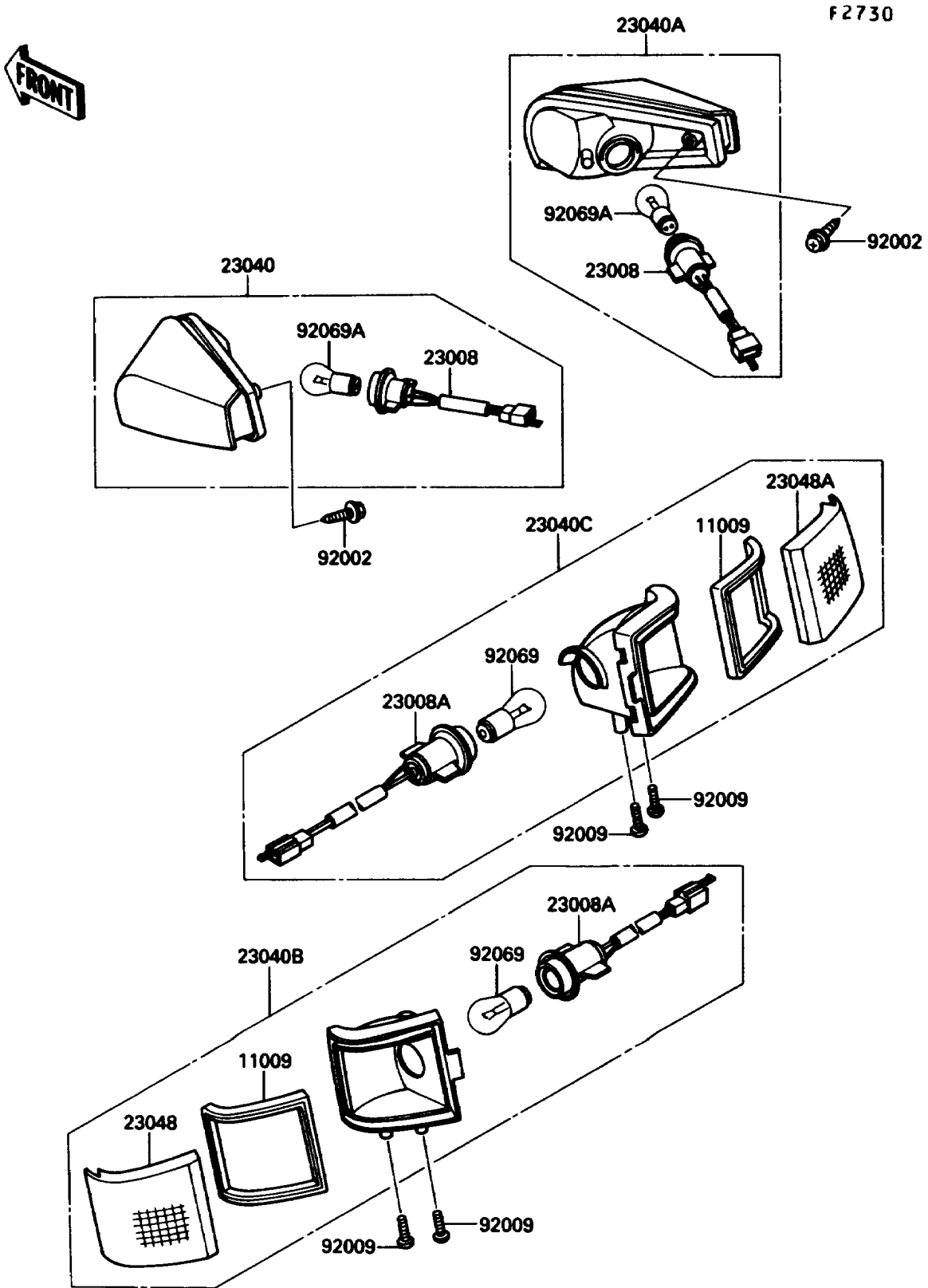


1990 Ninja® ZX™-10 PARTS DIAGRAM

Turn Signals



1990 Ninja® ZX™-10 PARTS LIST

Turn Signals

| ITEM NAME | PART NUMBER | QUANTITY |
|---|-------------|----------|
| GASKET,SIGNAL LAMP LENS (Ref # 11009) | 11009-1747 | 2 |
| SOCKET-ASSY,SIGNAL LAMP,FR (Ref # 23008) | 23008-1262 | 2 |
| SOCKET-ASSY,SIGNAL LAMP,RR (Ref # 23008A) | 23008-1263 | 2 |
| LAMP-SIGNAL,FR,LH (Ref # 23040) | 23040-1185 | 1 |
| LAMP-SIGNAL,FR,RH (Ref # 23040A) | 23040-1186 | 1 |
| LAMP-SIGNAL,RR,LH (Ref # 23040B) | 23040-1187 | 1 |
| LAMP-SIGNAL,RR,RH (Ref # 23040C) | 23040-1188 | 1 |
| LENS-SIGNAL LAMP,RR,LH (Ref # 23048) | 23048-1091 | 1 |
| LENS-SIGNAL LAMP,RR,RH (Ref # 23048A) | 23048-1092 | 1 |
| BOLT,TAPPING,5X16 (Ref # 92002) | 92002-1921 | 2 |
| SCREW,TAPPING,5X14 (Ref # 92009) | 92009-1197 | 4 |
| BULB,12V 32CP(23W) (Ref # 92069) | 92069-055 | 2 |
| BULB,12V 32/3CP(23/8W) (Ref # 92069A) | 92069-060 | 2 |