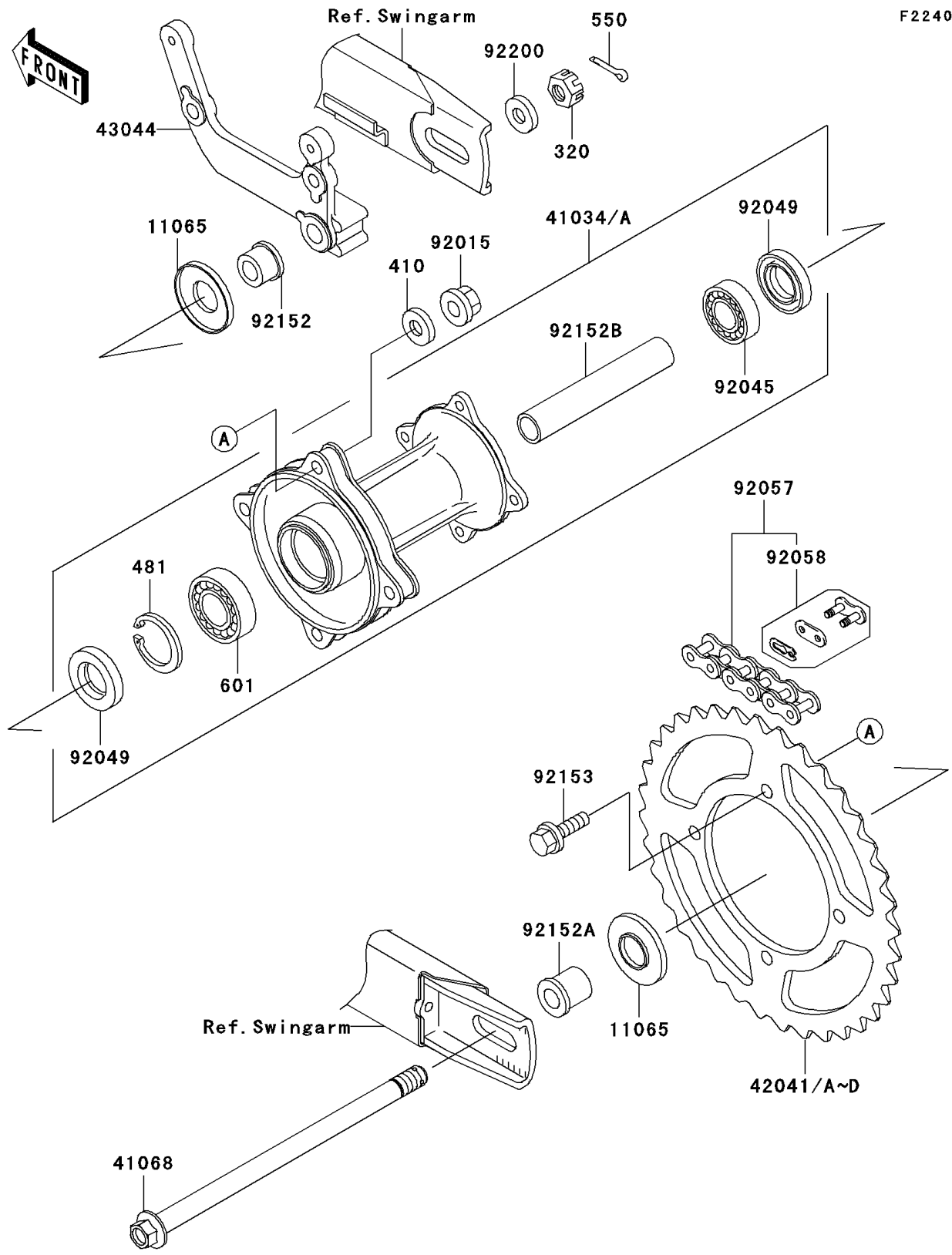


# 2009 KX™ 65 PARTS DIAGRAM

Rear Hub



## 2009 KX™ 65 PARTS LIST

### Rear Hub

ITEM NAME	PART NUMBER	QUANTITY
NUT-CASTLE (Ref # 320)	320BA1200	1
WASHER-PLAIN-SMALL,8MM (Ref # 410)	410AA0800	4
CIRCLIP-TYPE-C,37MM (Ref # 481)	481J3700	1
PIN-COTTER,3.0X25 (Ref # 550)	550AA3025	1
BEARING-BALL,#6201UUC3 (Ref # 601)	601B6301UU	1
CAP (Ref # 11065)	11065-1137	2
DRUM-ASSY,REAR BRAKE,GREEN (Ref # 41034)	41034-0061-19Z	1
AXLE,RR (Ref # 41068)	41068-1419	1
SPROCKET-HUB,45T (Ref # 42041)	42041-1526	1
SPROCKET-HUB,46T (Ref # 42041A)	42041-1527	1
SPROCKET-HUB,47T (Ref # 42041B)	42041-1528	1
SPROCKET-HUB,48T (Ref # 42041C)	42041-1529	1
SPROCKET-HUB,49T (Ref # 42041D)	42041-1549	1
HOLDER-COMP-CALIPER,RR (Ref # 43044)	43044-1127	1
NUT,8MM (Ref # 92015)	92015-1432	4
BEARING-BALL,TMB201LLUC3/2A (Ref # 92045)	92045-1062	1
SEAL-OIL,TC20376.5 (Ref # 92049)	92049-1257	2
CHAIN,DRIVE,DID420MBK1X110L (Ref # 92057)	92057-1504	1
JOINT-CHAIN,DRIVE (Ref # 92058)	92058-1073	1
COLLAR,AXLE,L=15.5 (Ref # 92152)	92152-1196	1
COLLAR,RR AXLE,L=22 (Ref # 92152A)	92152-1198	1
COLLAR,RR BRAKE DRUM,L=89 (Ref # 92152B)	92152-1199	1
BOLT,FLANGED,8X28 (Ref # 92153)	92153-1101	4
WASHER,12.3X23X2.3 (Ref # 92200)	92200-1004	1