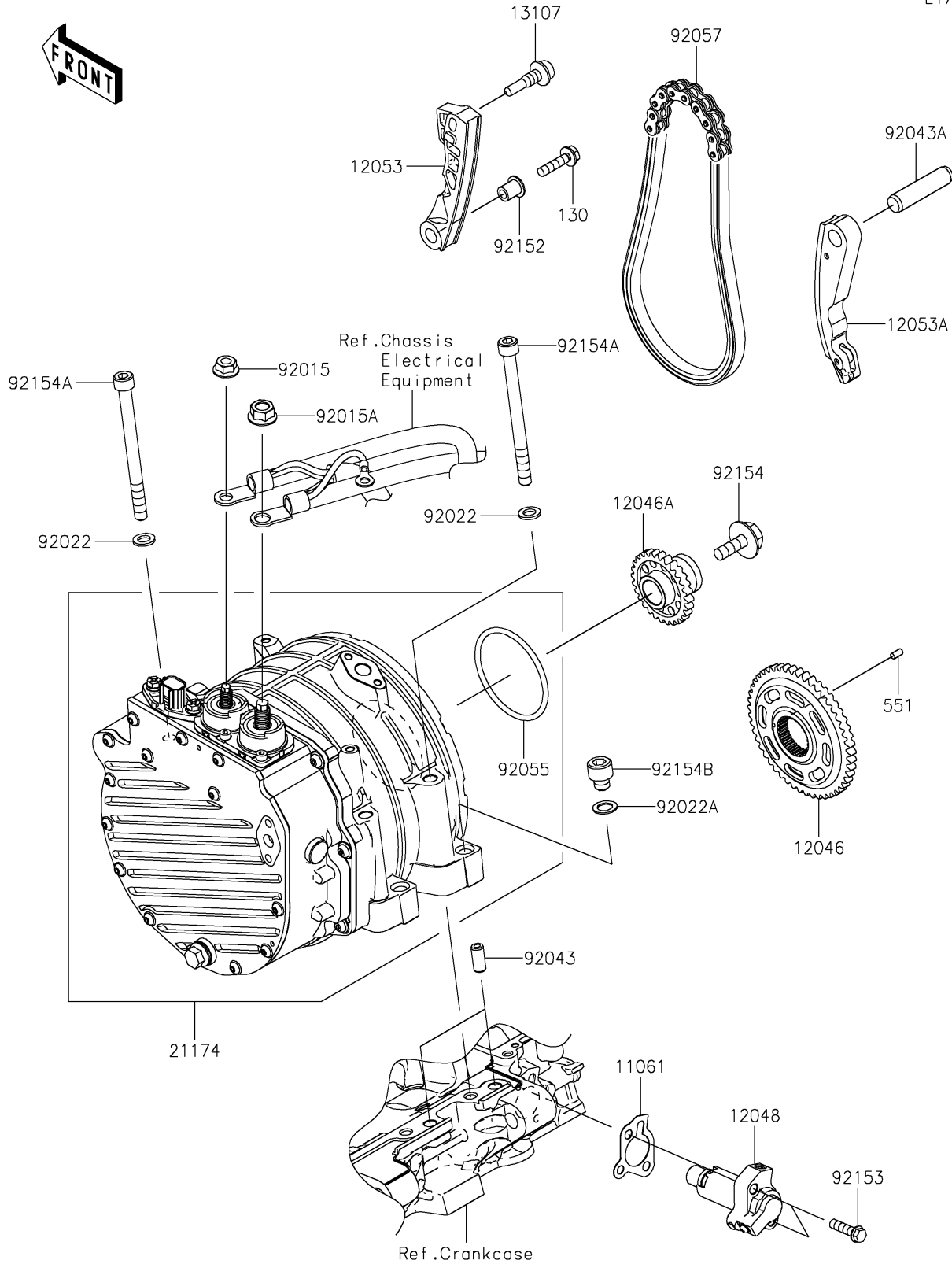


# 2024 Z7 HYBRID ABS PARTS DIAGRAM

Electric Motor

E1750



## 2024 Z7 HYBRID ABS PARTS LIST

### Electric Motor

| ITEM NAME                             | PART NUMBER | QUANTITY |
|---------------------------------------|-------------|----------|
| GASKET,TENSIONER (Ref # 11061)        | 11061-0796  | 1        |
| SPROCKET,DRIVEN (Ref # 12046)         | 12046-0636  | 1        |
| SPROCKET,DRIVE (Ref # 12046A)         | 12046-0637  | 1        |
| TENSIONER-ASSY (Ref # 12048)          | 12048-0130  | 1        |
| GUIDE-CHAIN,FR (Ref # 12053)          | 12053-0319  | 1        |
| GUIDE-CHAIN,RR (Ref # 12053A)         | 12053-0320  | 1        |
| SHAFT,CHAIN GUIDE (Ref # 13107)       | 13107-0157  | 1        |
| MOTOR-ELECTRIC (Ref # 21174)          | 21174-0030  | 1        |
| NUT,FLANGED,8MM (Ref # 92015)         | 92015-1014  | 1        |
| NUT,10MM (Ref # 92015A)               | 92015-1021  | 1        |
| WASHER,8.5X14.5X1.6 (Ref # 92022)     | 92022-1470  | 4        |
| WASHER,10.2X16X1 (Ref # 92022A)       | 92022-1829  | 2        |
| PIN (Ref # 92043)                     | 92043-1770  | 2        |
| PIN (Ref # 92043A)                    | 92043-1774  | 1        |
| RING-O,59.6X3.5 (Ref # 92055)         | 92055-0974  | 1        |
| CHAIN,T112 (Ref # 92057)              | 92057-0865  | 1        |
| COLLAR (Ref # 92152)                  | 92152-0413  | 1        |
| BOLT,FLANGED-SMALL,6X22 (Ref # 92153) | 92153-1560  | 2        |
| BOLT,FLANGED,8X23 (Ref # 92154)       | 92154-0187  | 1        |
| BOLT,SOCKET,8X100 (Ref # 92154A)      | 92154-4478  | 4        |
| BOLT,SOCKET,10X10 (Ref # 92154B)      | 92154-7167  | 2        |
| BOLT-FLANGED,6X25 (Ref # 130)         | 130CA0625   | 1        |
| PIN-DOWEL,4X8 (Ref # 551)             | 551A0408    | 1        |