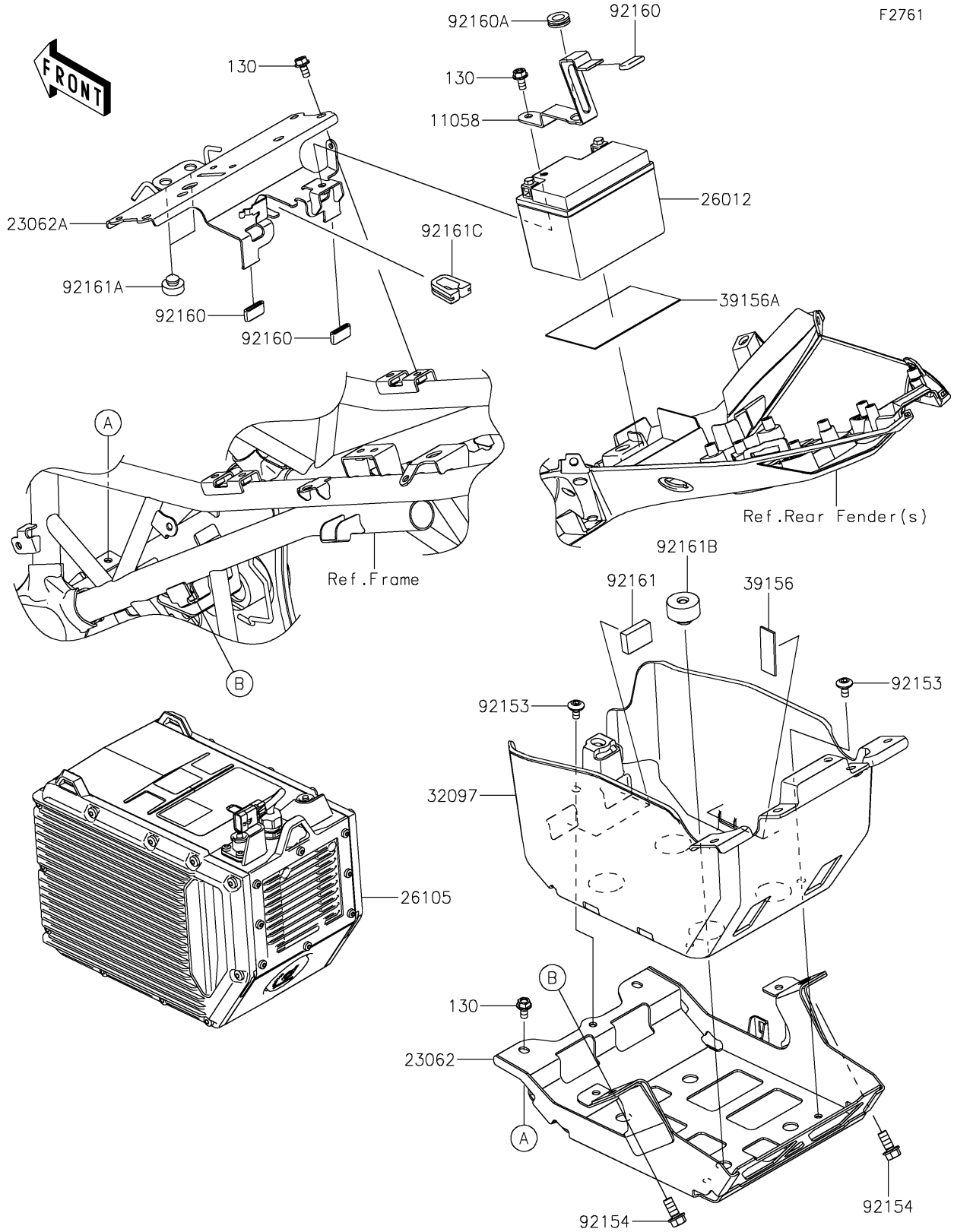


2024 Z7 HYBRID ABS PARTS DIAGRAM

Battery



2024 Z7 HYBRID ABS PARTS LIST

Battery

ITEM NAME	PART NUMBER	QUANTITY
BRACKET,BATTERY (Ref # 11058)	11058-0639	1
BRACKET-COMP,BATTERY,LWR (Ref # 23062)	23062-1368	1
BRACKET-COMP,BATTERY,UPP (Ref # 23062A)	23062-1566	1
BATTERY,FTZ3,12V 2.5AH (Ref # 26012)	26012-1457	1
PACK-ASSY-BATTERY (Ref # 26105)	26105-0011	1
CASE-BATTERY (Ref # 32097)	32097-0567	1
PAD,17X45X2 (Ref # 39156)	39156-2384	6
PAD,110X66X1.0 (Ref # 39156A)	39156-2850	1
BOLT,SOCKET,6X12 (Ref # 92153)	92153-1948	3
BOLT-FLANGED,8X14 (Ref # 92154)	92154-3782	2
DAMPER (Ref # 92160)	92160-1190	3
DAMPER (Ref # 92160A)	92160-1278	1
DAMPER (Ref # 92161)	92161-0585	2
DAMPER,10X20X8 (Ref # 92161A)	92161-0855	2
DAMPER,14X30X14.5 (Ref # 92161B)	92161-1970	4
DAMPER,RR FENDER (Ref # 92161C)	92161-1984	1
BOLT-FLANGED,6X12 (Ref # 130)	130BA0612	7