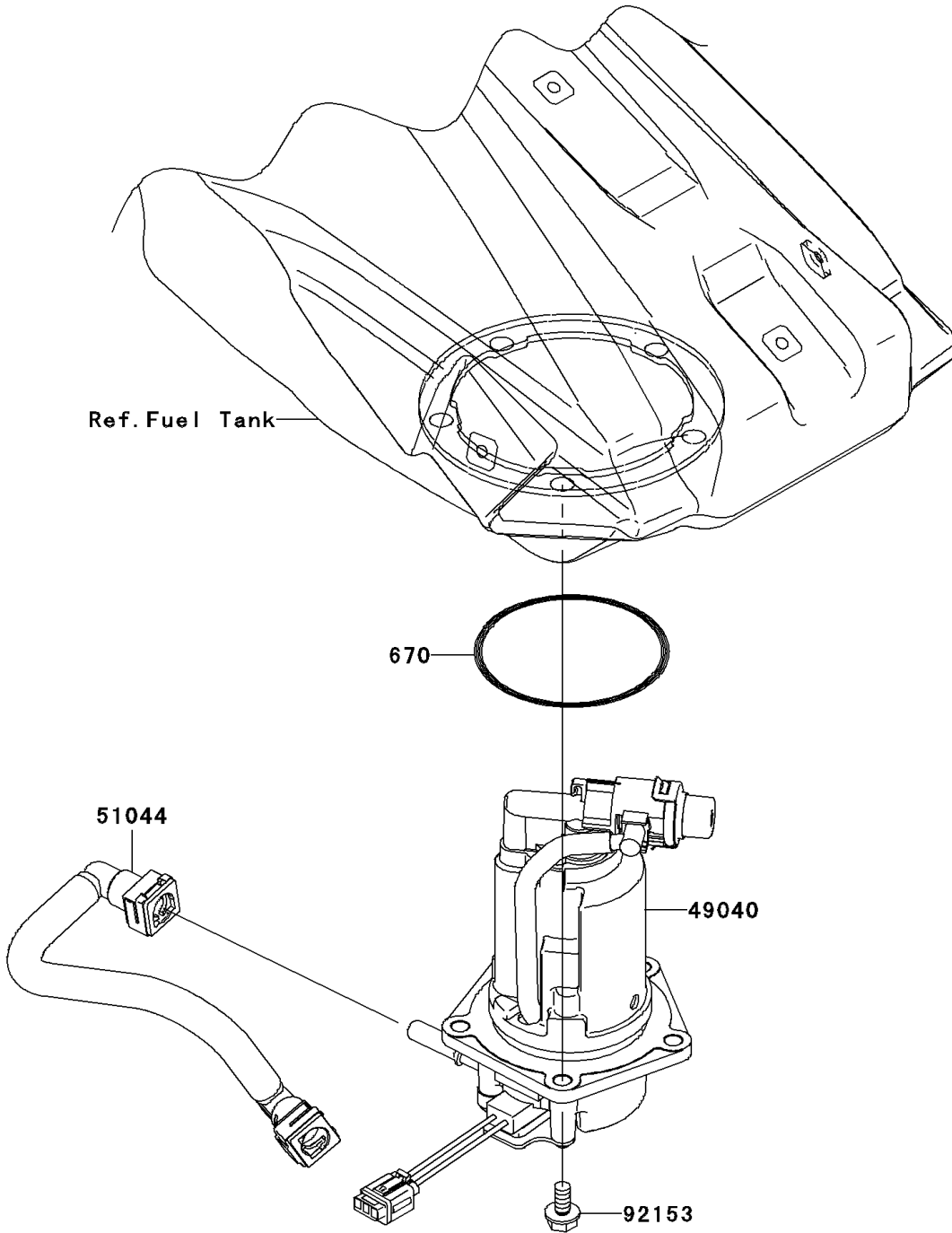


2009 KX™ 450F PARTS DIAGRAM

Fuel Pump

E1520



2009 KX™ 450F PARTS LIST

Fuel Pump

ITEM NAME	PART NUMBER	QUANTITY
O RING (Ref # 670)	670E5070	1
PUMP-FUEL (Ref # 49040)	49040-0037	1
TUBE-ASSY,FUEL (Ref # 51044)	51044-0060	1
BOLT,FLANGED,6X16 (Ref # 92153)	92153-1551	5