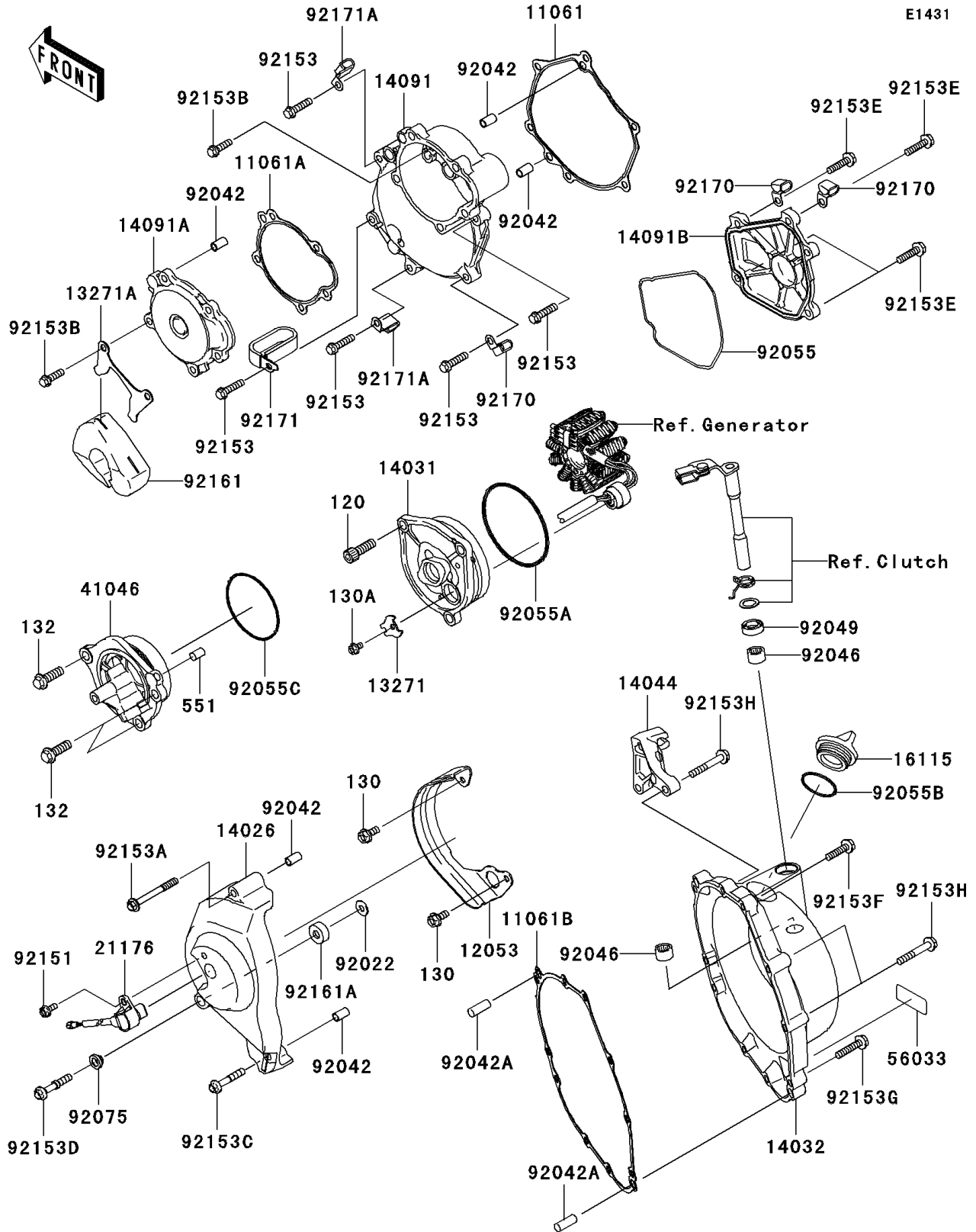


2005 Ninja® ZX™-10R PARTS DIAGRAM

Engine Cover(s)



2005 Ninja® ZX™-10R PARTS LIST

Engine Cover(s)

ITEM NAME	PART NUMBER	QUANTITY
GASKET,STARTER COVER,LARGE (Ref # 11061)	11061-0047	1
GASKET,STARTER COVER,SMALL (Ref # 11061A)	11061-0048	1
GASKET,CLUTCH COVER (Ref # 11061B)	11061-0049	1
GUIDE-CHAIN (Ref # 12053)	12053-0044	1
PLATE (Ref # 13271)	13271-0149	1
PLATE,STARTER COVER (Ref # 13271A)	13271-0265	1
COVER-CHAIN (Ref # 14026)	14026-0017	1
COVER-GENERATOR (Ref # 14031)	14031-0012	1
COVER-CLUTCH (Ref # 14032)	14032-0039	1
HOLDER-CABLE,CLUTCH (Ref # 14044)	14044-0011	1
COVER,STARTER,LARGE (Ref # 14091)	14091-0108	1
COVER,STARTER,SMALL (Ref # 14091A)	14091-0109	1
COVER,PULSING (Ref # 14091B)	14091-0303	1
CAP-OIL FILLER (Ref # 16115)	16115-1009	1
SENSOR,SPEED (Ref # 21176)	21176-0032	1
HOUSING-BEARING (Ref # 41046)	41046-0009	1
LABEL-MANUAL,OIL CAPACITY (Ref # 56033)	56033-0061	1
WASHER,6.2X15.0X1.2 (Ref # 92022)	92022-2373	1
PIN,DOWEL,6.3X8X14 (Ref # 92042)	92042-007	5
PIN,DOWEL,8X22 (Ref # 92042A)	92042-044	2
BEARING-NEEDLE,HK1210 (Ref # 92046)	92046-1010	2
SEAL-OIL,CLUTCH RELEASE (Ref # 92049)	92049-1475	1
RING-O (Ref # 92055)	92055-0020	1
RING-O,80.8X3.5 (Ref # 92055A)	92055-0038	1
RING-O,31.7X2.4 (Ref # 92055B)	92055-049	1
RING-O,65.2X2.4 (Ref # 92055C)	92055-1408	1
DAMPER (Ref # 92075)	92075-1855	1
BOLT,5X12 (Ref # 92151)	92151-1305	1
BOLT,6X25 (Ref # 92153)	92153-0604	5

2005 Ninja® ZX™-10R PARTS LIST

Engine Cover(s)

ITEM NAME	PART NUMBER	QUANTITY
BOLT,6X55 (Ref # 92153A)	92153-0609	1
BOLT,6X20 (Ref # 92153B)	92153-0631	6
BOLT,6X35 (Ref # 92153C)	92153-0690	1
BOLT,6X38 (Ref # 92153D)	92153-0691	1
BOLT,6X22 (Ref # 92153E)	92153-0732	5
BOLT,6X25 (Ref # 92153F)	92153-0764	5
BOLT,6X30 (Ref # 92153G)	92153-0765	1
BOLT,6X40 (Ref # 92153H)	92153-0766	4
DAMPER,STARTER COVER (Ref # 92161)	92161-0140	1
DAMPER (Ref # 92161A)	92161-0177	1
CLAMP (Ref # 92170)	92170-1577	3
BOLT-SOCKET,BLACK (Ref # 120)	120S0825	3
BOLT-FLANGED (Ref # 130)	130L0614	2
BOLT-FLANGED,M5X8 (Ref # 130A)	130Y0508	1
BOLT-FLANGED-SMALL (Ref # 132)	132Y0825	3
PIN-DOWEL,8X12 (Ref # 551)	551A0812	1
CLAMP (Ref # 92171)	92171-0254	1
CLAMP,HARNESS (Ref # 92171A)	92171-0255	2