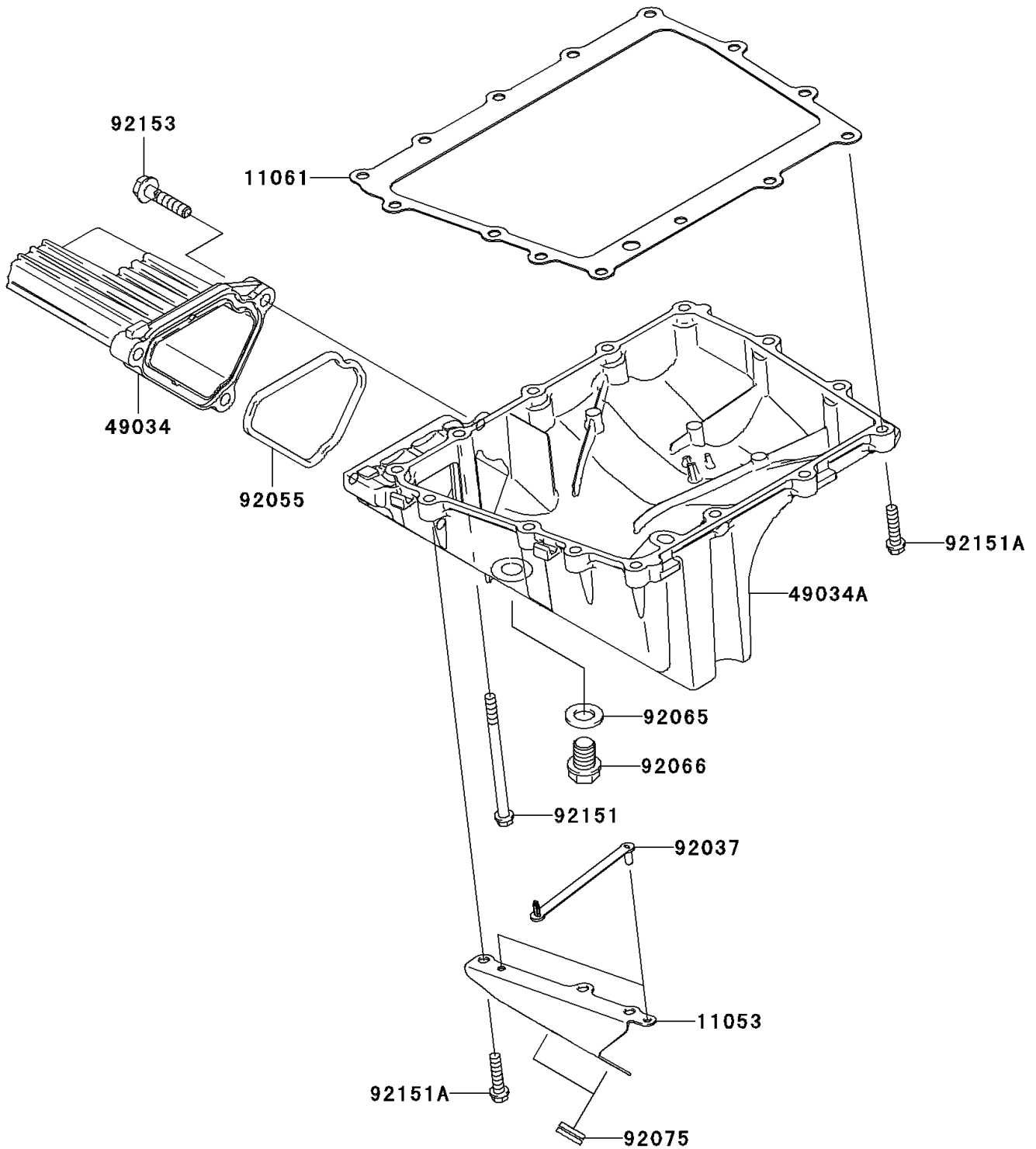


# 2005 Ninja® ZX™-10R PARTS DIAGRAM

Oil Pan

E1434



## 2005 Ninja® ZX™ -10R PARTS LIST

### Oil Pan

ITEM NAME	PART NUMBER	QUANTITY
BRACKET (Ref # 11053)	11053-0914	1
GASKET,PAN-OIL (Ref # 11061)	11061-0065	1
PAN-OIL,SUB (Ref # 49034)	49034-0008	1
PAN-OIL,MAIN (Ref # 49034A)	49034-0009	1
CLAMP,SPEED,L=43 (Ref # 92037)	92037-1290	2
RING-O (Ref # 92055)	92055-0040	1
GASKET,12X22X2 (Ref # 92065)	92065-097	1
PLUG,OIL DRAIN,12X15 (Ref # 92066)	92066-1174	1
DAMPER (Ref # 92075)	92075-1947	2
BOLT,6X85 (Ref # 92151)	92151-1427	1
BOLT,FLANGED,M6X25 (Ref # 92151A)	92151-1930	13
BOLT,7X32 (Ref # 92153)	92153-0448	3