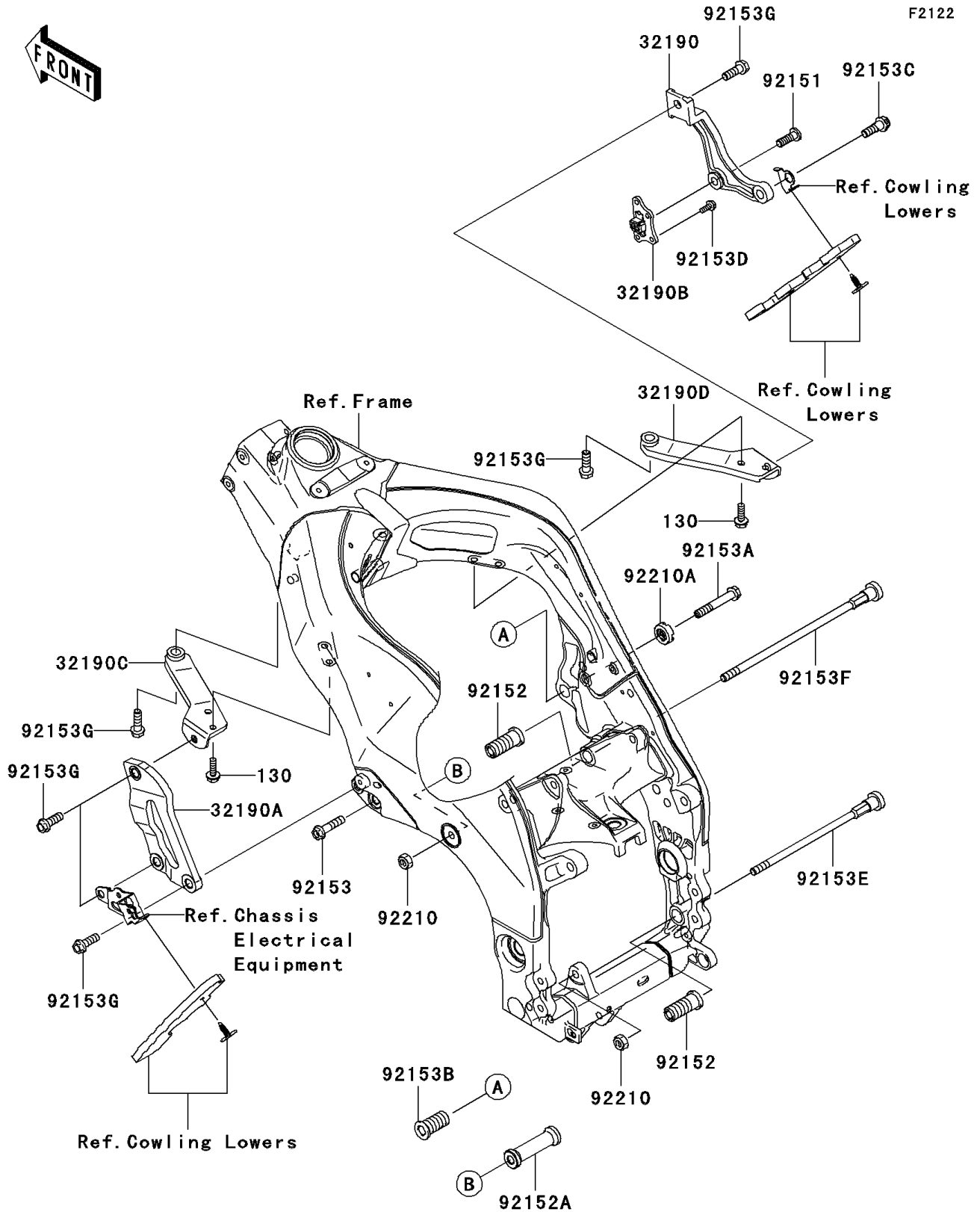


2005 Ninja® ZX™-10R PARTS DIAGRAM

Engine Mount



2005 Ninja® ZX™ -10R PARTS LIST

Engine Mount

ITEM NAME	PART NUMBER	QUANTITY
BOLT-FLANGED (Ref # 130)	130W0822	4
BRACKET-ENGINE,RH,LWR (Ref # 32190)	32190-0063	1
BRACKET-ENGINE,LH,LWR (Ref # 32190A)	32190-0114	1
BRACKET-ENGINE,RH,HEAD (Ref # 32190B)	32190-0118	1
BRACKET-ENGINE,LH,UPP (Ref # 32190C)	32190-0119	1
BRACKET-ENGINE,RH,UPP (Ref # 32190D)	32190-0120	1
BOLT,SOCKET,10X30 (Ref # 92151)	92151-1372	1
COLLAR,ENGINE MOUNT (Ref # 92152)	92152-0076	2
COLLAR,ENGINE MOUNT (Ref # 92152A)	92152-0096	1
BOLT,FLANGED,10X42 (Ref # 92153)	92153-0438	1
BOLT,FLANGED,10X67 (Ref # 92153A)	92153-0439	1
BOLT,SOCKET,20X43 (Ref # 92153B)	92153-0488	1
BOLT,FLANGED,10X31 (Ref # 92153C)	92153-0588	1
BOLT,FLANGED,6X16 (Ref # 92153D)	92153-0713	4
BOLT,SOCKET,10X227 (Ref # 92153E)	92153-0799	1
BOLT,SOCKET,10X279 (Ref # 92153F)	92153-0800	1
BOLT,FLANGED,10X30 (Ref # 92153G)	92153-0801	6
NUT,LOCK,FLANGED,10MM (Ref # 92210)	92210-1139	2
NUT,20MM (Ref # 92210A)	92210-1365	1