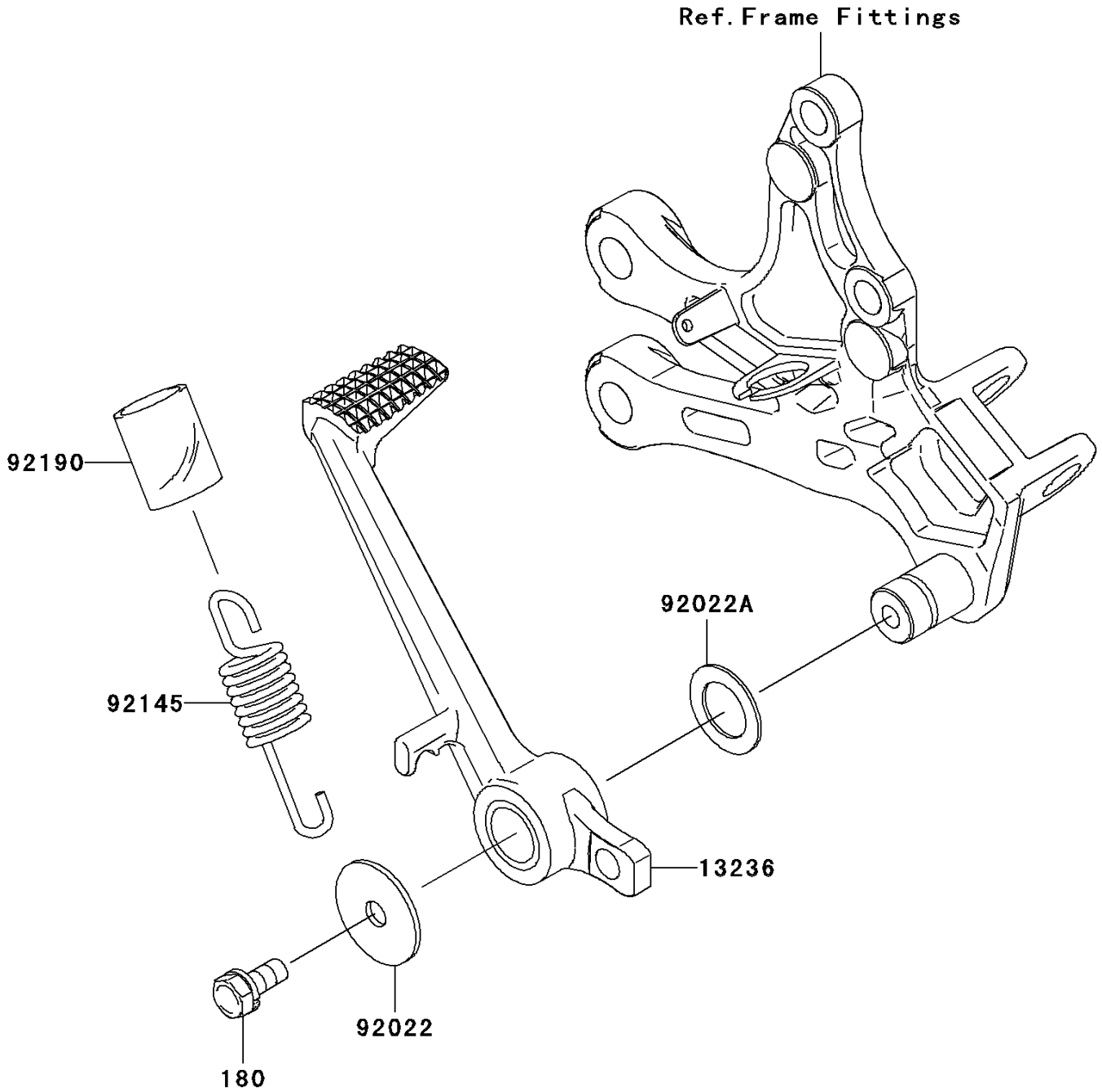


# 2005 Ninja<sup>®</sup> ZX<sup>™</sup>-10R PARTS DIAGRAM

Brake Pedal/Torque Link

F2260



## 2005 Ninja® ZX™ -10R PARTS LIST

### Brake Pedal/Torque Link

ITEM NAME	PART NUMBER	QUANTITY
BOLT-UPSET-WS (Ref # 180)	180L0614	1
LEVER-COMP,BRAKE PEDAL (Ref # 13236)	13236-0029	1
WASHER,7X28X1.6 (Ref # 92022)	92022-1282	1
WASHER,15.3X24X1 (Ref # 92022A)	92022-326	1
SPRING,BRAKE PEDAL RETURN (Ref # 92145)	92145-0200	1
TUBE,16X19X30 (Ref # 92190)	92190-1185	1