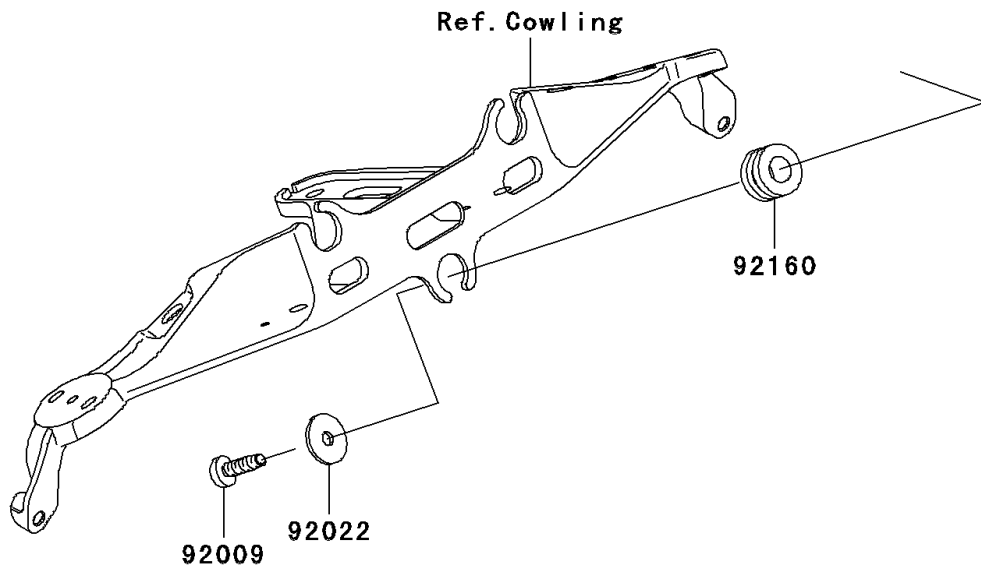
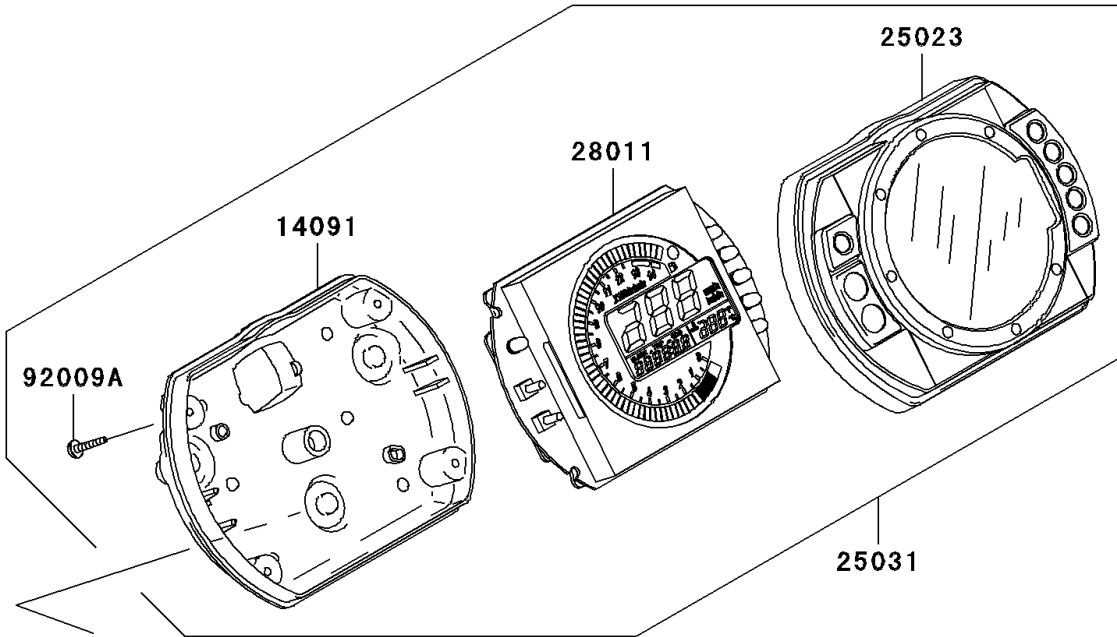


2005 Ninja® ZX™-10R PARTS DIAGRAM

Meter(s)

F2530



2005 Ninja® ZX™-10R PARTS LIST

Meter(s)

ITEM NAME	PART NUMBER	QUANTITY
COVER,METER,LWR (Ref # 14091)	14091-1569	1
COVER-METER CASE,UPP (Ref # 25023)	25023-1268	1
METER-ASSY,LCD (Ref # 25031)	25031-0045	1
METER,LCD (Ref # 28011)	28011-0013	1
SCREW,TAPPING,5X14 (Ref # 92009)	92009-1197	3
SCREW,TAPPING,3X14 (Ref # 92009A)	92009-1592	5
WASHER,5.5X20X1.2 (Ref # 92022)	92022-1405	3
DAMPER (Ref # 92160)	92160-1167	3