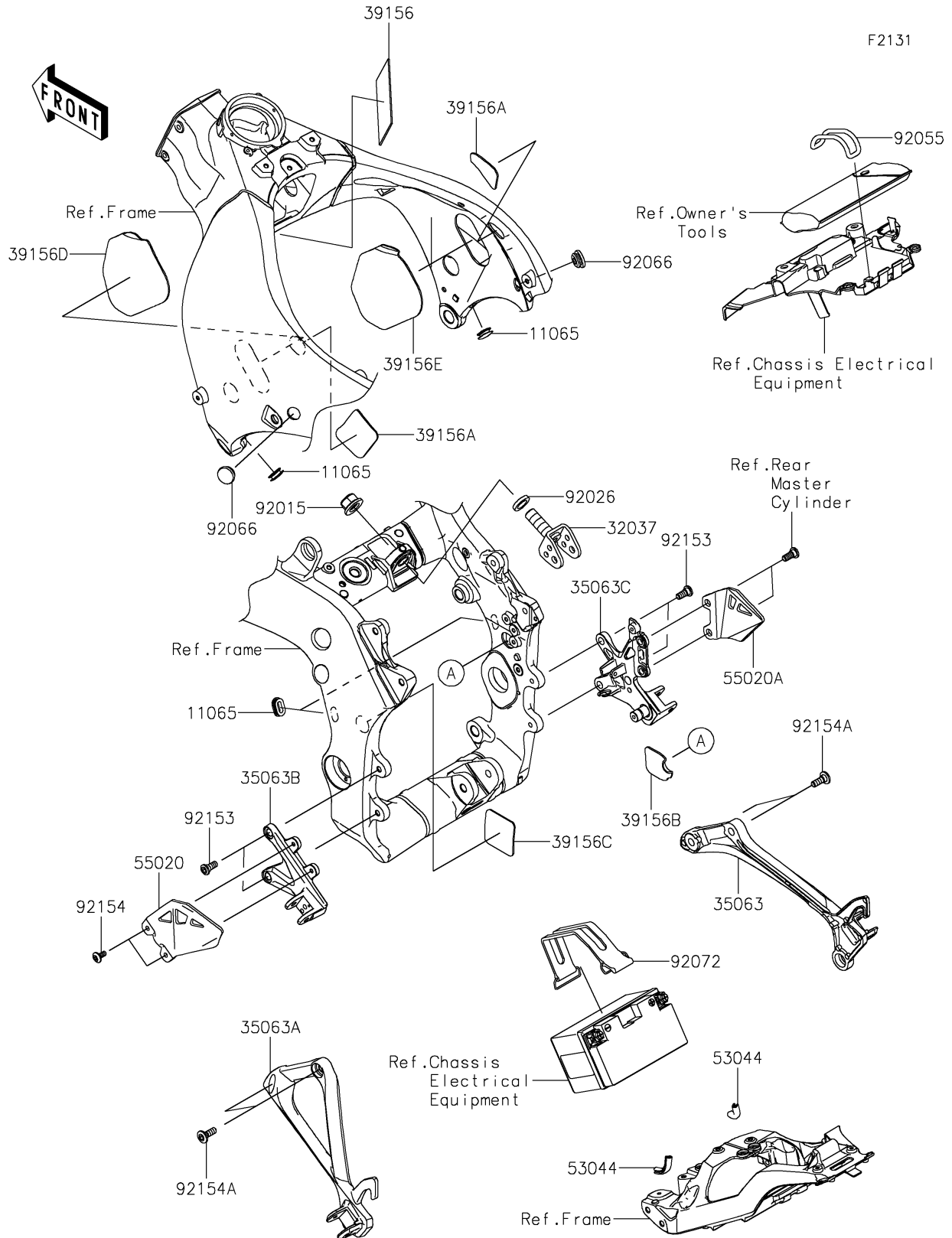


# 2022 NINJA® ZX™ -10R PARTS DIAGRAM

## Frame Fittings



## 2022 NINJA® ZX™-10R PARTS LIST

### Frame Fittings

| ITEM NAME                                | PART NUMBER    | QUANTITY |
|--|----------------|----------|
| CAP (Ref # 11065)                        | 11065-0095     | 4        |
| BRACKET-SHOCKABSORBER (Ref # 32037)      | 32037-0149     | 1        |
| STAY,RR STEP,RH,F.S.BLACK (Ref # 35063)  | 35063-0700-18R | 1        |
| STAY,RR STEP,LH,F.S.BLACK (Ref # 35063A) | 35063-0852-18R | 1        |
| STAY,FR STEP,LH,F.S.BLACK (Ref # 35063B) | 35063-1521-18R | 1        |
| STAY,FR STEP,RH,F.S.BLACK (Ref # 35063C) | 35063-1522-18R | 1        |
| PAD,50X115X2 (Ref # 39156)               | 39156-0923     | 1        |
| PAD,55X55X2 (Ref # 39156A)               | 39156-1961     | 2        |
| PAD,45X50.5X2 (Ref # 39156B)             | 39156-1964     | 1        |
| PAD,55.5X55.5X0.5 (Ref # 39156C)         | 39156-2116     | 1        |
| PAD,LH (Ref # 39156D)                    | 39156-2213     | 1        |
| PAD,RH (Ref # 39156E)                    | 39156-2214     | 1        |
| TRIM,L=40 (Ref # 53044)                  | 53044-0012     | 2        |
| GUARD,FR STEP,LH (Ref # 55020)           | 55020-0569     | 1        |
| GUARD,FR STEP,RH (Ref # 55020A)          | 55020-1944     | 1        |
| NUT,FLANGED,16MM (Ref # 92015)           | 92015-1316     | 1        |
| SPACER,16.5X26X4.6 (Ref # 92026)         | 92026-0913     | 1        |
| RING-O,54.6X5.7 (Ref # 92055)            | 92055-0881     | 1        |
| PLUG,17MM (Ref # 92066)                  | 92066-1320     | 2        |
| BAND,L=168 (Ref # 92072)                 | 92072-1306     | 1        |
| BOLT,SOCKET,8X20 (Ref # 92153)           | 92153-1621     | 4        |
| BOLT,SOCKET,6X14 (Ref # 92154)           | 92154-1735     | 2        |
| BOLT,SOCKET,8X23 (Ref # 92154A)          | 92154-1968     | 4        |