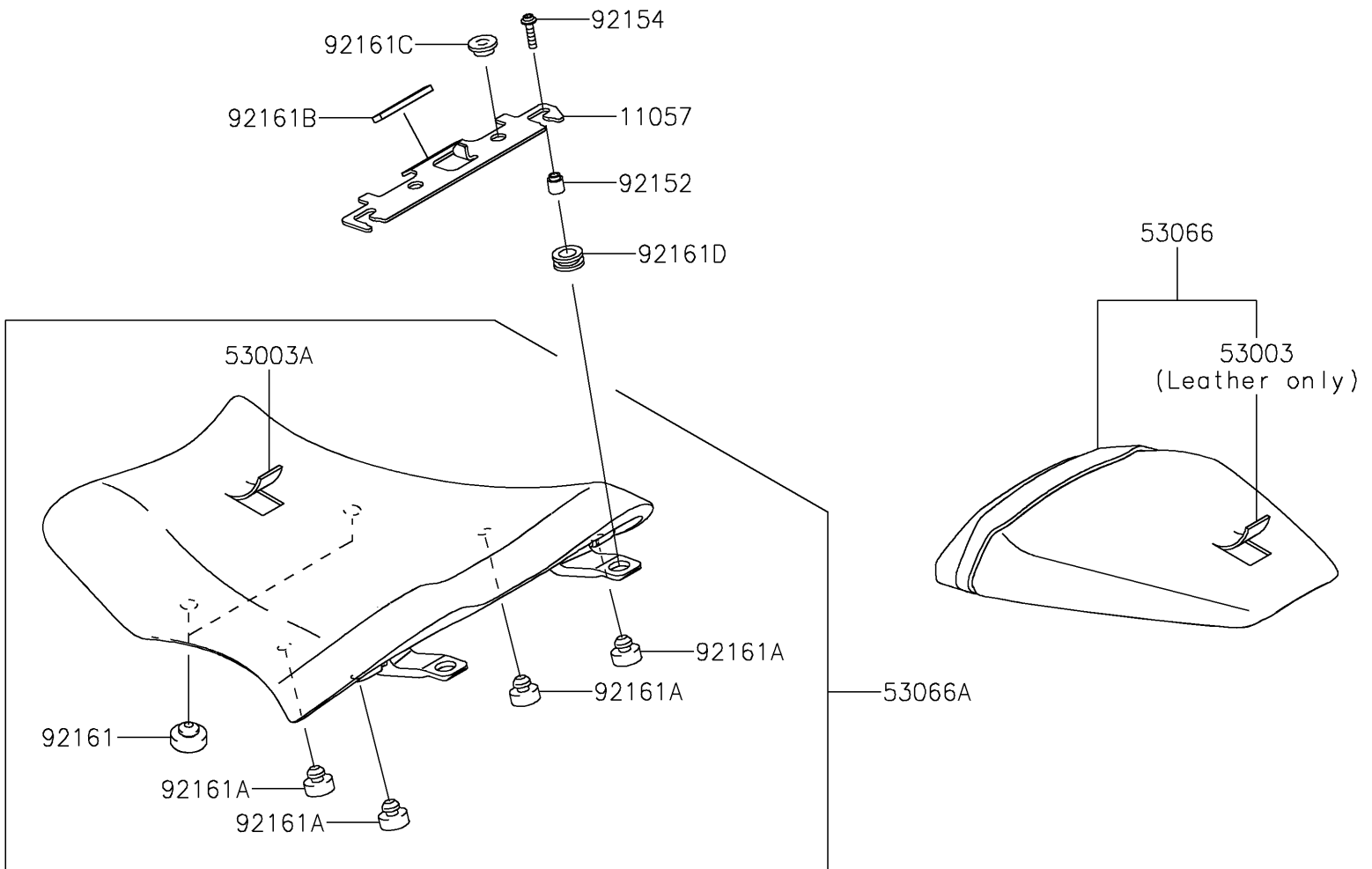


# 2024 NINJA® ZX™ -10R 40th ANNIVERSARY EDITION ABS PARTS DIAGRAM

F2510



## 2024 NINJA® ZX™ -10R 40th ANNIVERSARY EDITION ABS PARTS LIS

### Seat

ITEM NAME	PART NUMBER	QUANTITY
BRACKET,SEAT (Ref # 11057)	11057-7381	1
LEATHER,RR SEAT,BLACK (Ref # 53003)	53003-0420-MA	1
LEATHER,FR SEAT,BLACK (Ref # 53003A)	53003-0535-MA	1
SEAT-ASSY,RR,BLACK/BLACK (Ref # 53066)	53066-0506-12Y	1
SEAT-ASSY,FR,BLACK (Ref # 53066A)	53066-0700-MA	1
COLLAR (Ref # 92152)	92152-2816	2
BOLT,SOCKET,5X20 (Ref # 92154)	92154-4257	2
DAMPER,SEAT,10X25X8 (Ref # 92161)	92161-0095	2
DAMPER,8X20X8 (Ref # 92161A)	92161-0223	4
DAMPER,10X50X4 (Ref # 92161B)	92161-1834	1
DAMPER,6X20X7.5 (Ref # 92161C)	92161-1937	2
DAMPER (Ref # 92161D)	92161-2403	2