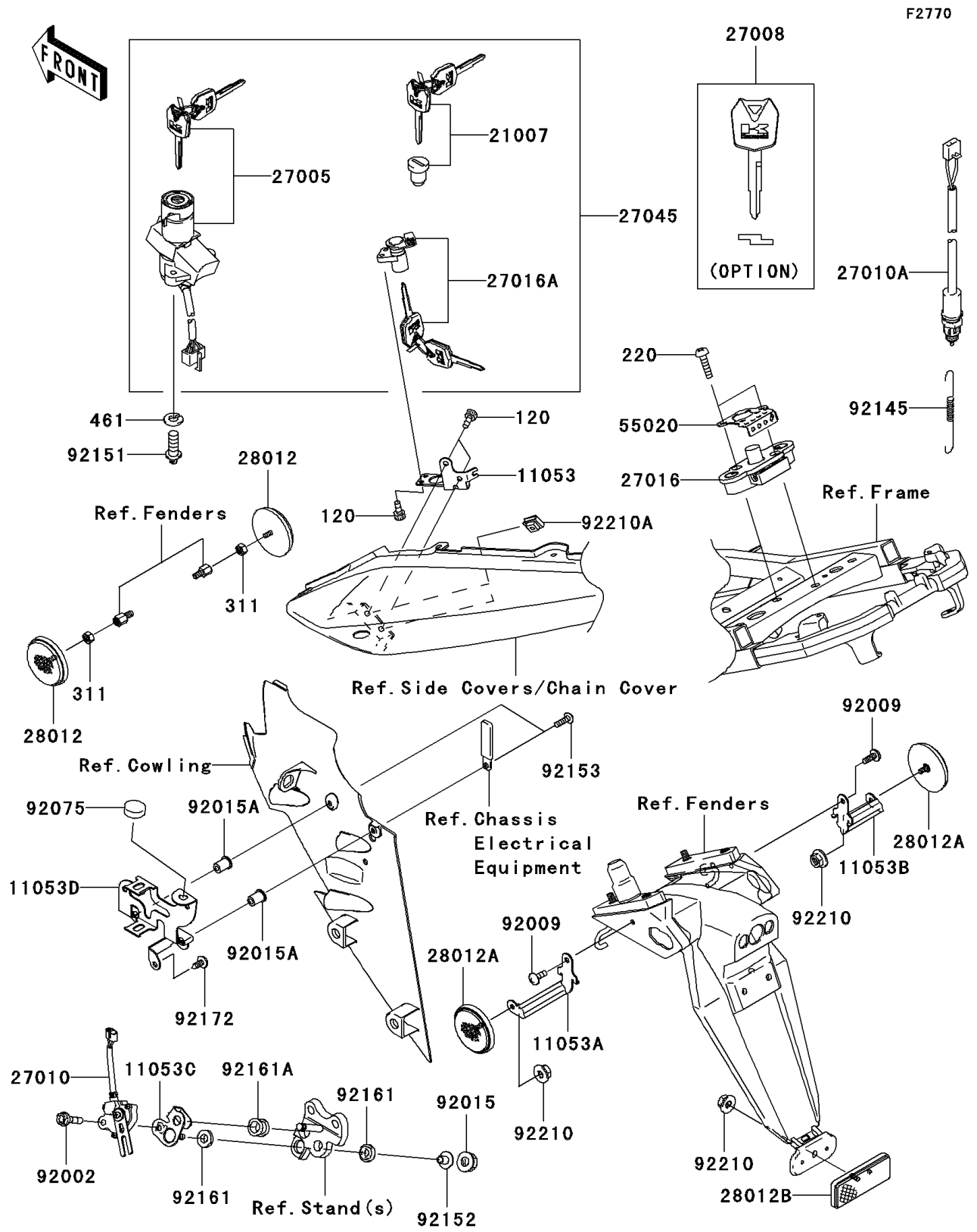


# 2005 Ninja® ZX™-10R PARTS DIAGRAM

Ignition Switch/Locks/Reflectors



## 2005 Ninja® ZX™-10R PARTS LIST

### Ignition Switch/Locks/Reflectors

ITEM NAME	PART NUMBER	QUANTITY
BOLT-SOCKET (Ref # 120)	120W0512	4
SCREW-PAN-CROSS (Ref # 220)	220F0630	2
NUT-HEX (Ref # 311)	311C0500	2
WASHER-SPRING (Ref # 461)	461L0600	2
BRACKET,SEAT LOCK (Ref # 11053)	11053-0399	1
BRACKET,REAR REFLECTOR,LH (Ref # 11053A)	11053-0405	1
BRACKET,REAR REFLECTOR,RH (Ref # 11053B)	11053-0406	1
BRACKET,SIDE STAND SWITCH (Ref # 11053C)	11053-0723	1
BRACKET,AMPLIFIER (Ref # 11053D)	11053-1252	1
ROTOR,LOCK,TANK CAP (Ref # 21007)	21007-5057	1
SWITCH-ASSY-IGNITION (Ref # 27005)	27005-5130	1
KEY-LOCK,BLANK (Ref # 27008)	27008-0030	1
SWITCH,SIDE STAND (Ref # 27010)	27010-1455	1
SWITCH,REAR BRAKE (Ref # 27010A)	27010-1479	1
LOCK-ASSY,SEAT STRIKER (Ref # 27016)	27016-0003	1
LOCK-ASSY,SEAT (Ref # 27016A)	27016-5309	1
SWITCH-ASSY (Ref # 27045)	27045-5236	1
REFLECTOR-REFLEX,FR,SIDE (Ref # 28012)	28012-0001	2
REFLECTOR-REFLEX (Ref # 28012A)	28012-0002	2
REFLECTOR-REFLEX (Ref # 28012B)	28012-1077	1
GUARD,SEAT STRIKER (Ref # 55020)	55020-0082	1
BOLT,FLANGED,6X25 (Ref # 92002)	92002-1582	1
SCREW,5X14 (Ref # 92009)	92009-1653	2
NUT,6MM (Ref # 92015)	92015-1386	1
NUT,WELL,5MM (Ref # 92015A)	92015-1757	2
DAMPER (Ref # 92075)	92075-281	1
SPRING,REAR BRAKE SWITCH (Ref # 92145)	92145-0091	1
BOLT,TORX,6X16 (Ref # 92151)	92151-1911	2
COLLAR (Ref # 92152)	92152-1074	1

## 2005 Ninja® ZX™ -10R PARTS LIST

### Ignition Switch/Locks/Reflectors

ITEM NAME	PART NUMBER	QUANTITY
BOLT,SOCKET,5X16 (Ref # 92153)	92153-1244	2
DAMPER (Ref # 92161)	92161-0117	2
DAMPER (Ref # 92161A)	92161-0118	1
SCREW,TAPPING,5X14 (Ref # 92172)	92172-0006	1
NUT,FLANGED,5MM (Ref # 92210)	92210-0007	3
NUT,5MM (Ref # 92210A)	92210-1266	2