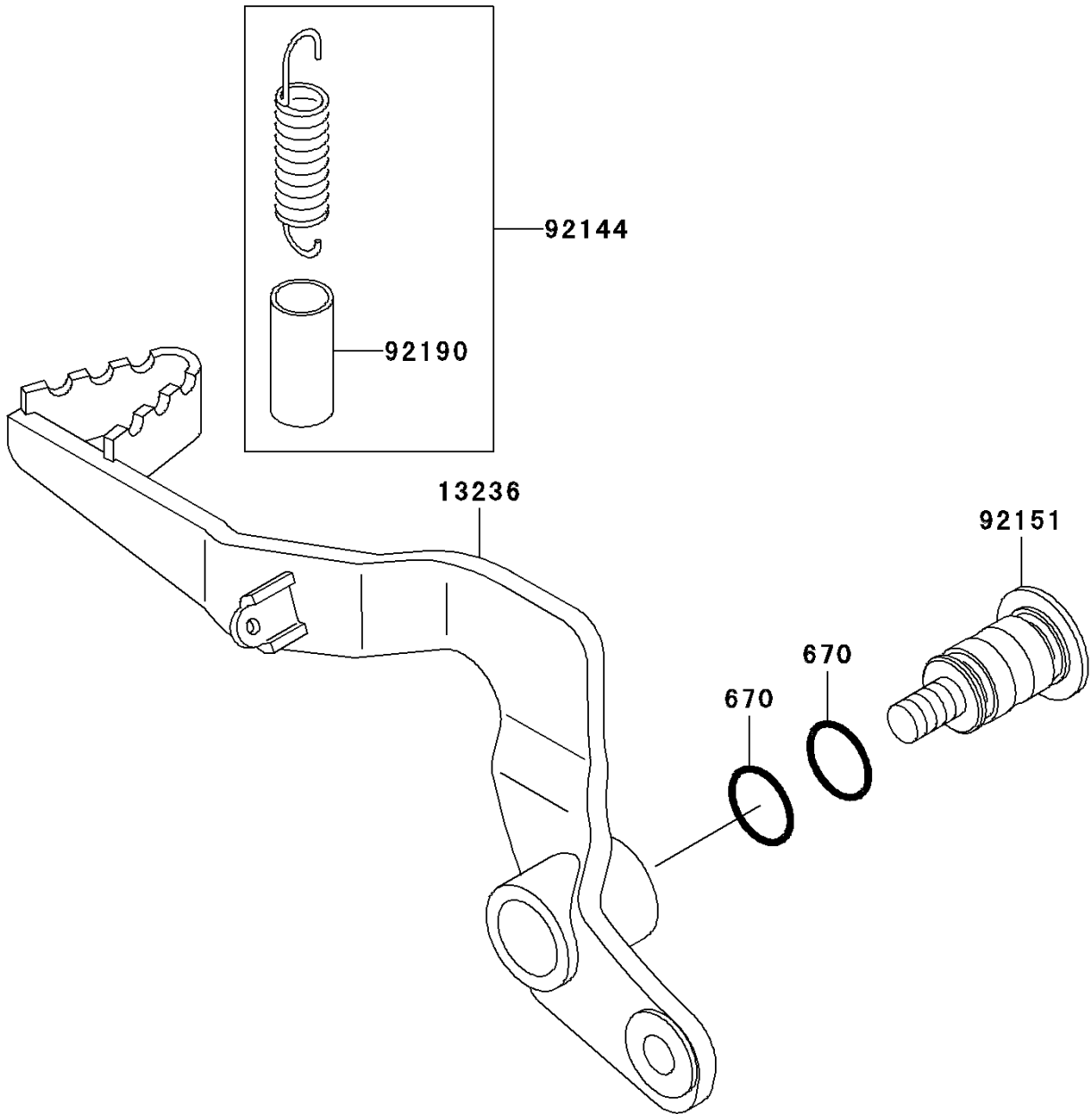


2008 KX™ 65 PARTS DIAGRAM

Brake Pedal

F2260



2008 KX™ 65 PARTS LIST

Brake Pedal

ITEM NAME	PART NUMBER	QUANTITY
O RING,12MM (Ref # 670)	670B2012	2
LEVER-COMP,BRAKE PEDAL,STEEL (Ref # 13236)	13236-1369	1
SPRING,BRAKE PEDAL RETURN (Ref # 92144)	92144-1752	1
BOLT,BRAKE PEDAL,8MM (Ref # 92151)	92151-1572	1
TUBE,13X16X25 (Ref # 92190)	92190-1488	1