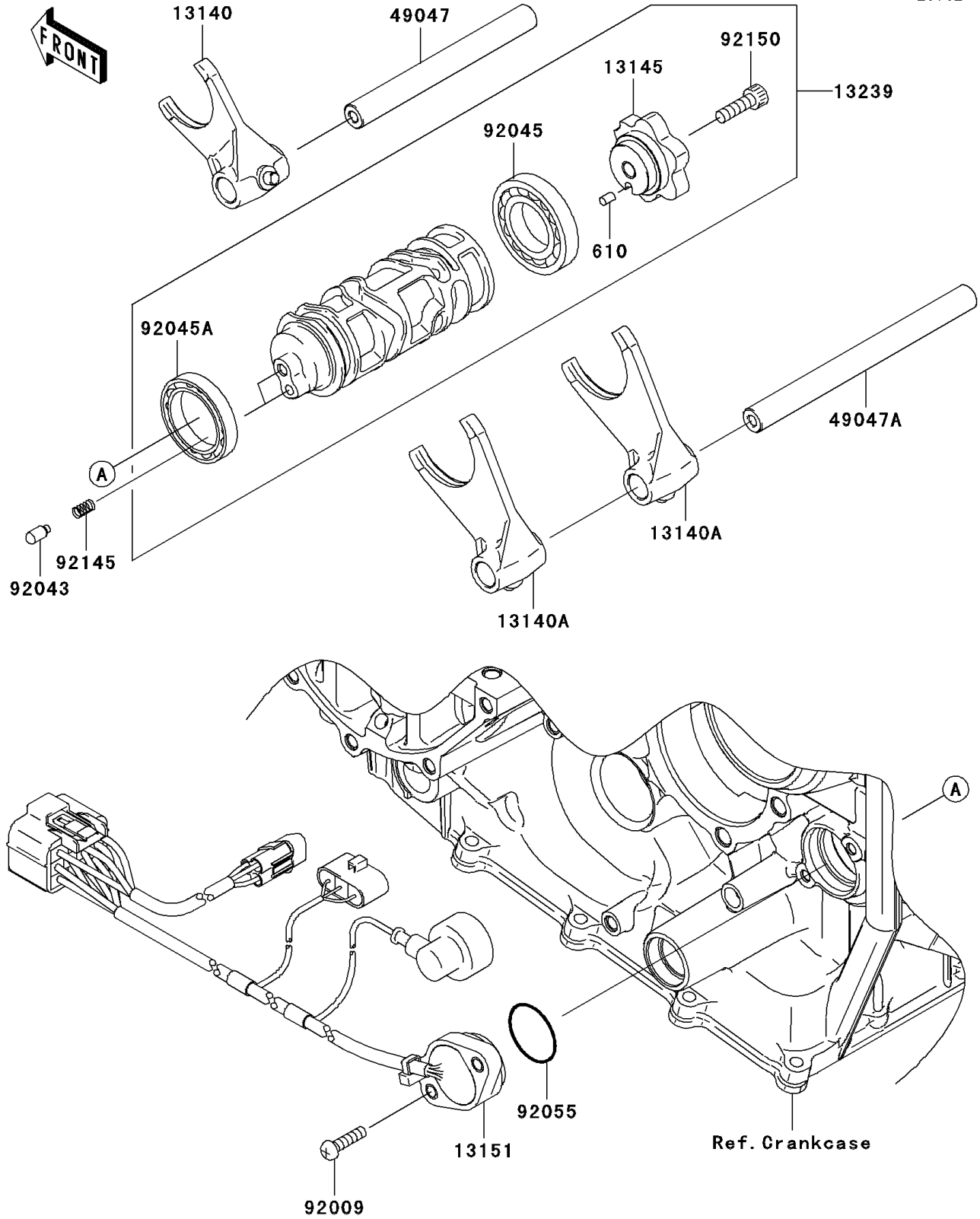


2007 Ninja® ZX™-10R PARTS DIAGRAM

Gear Change Drum/Shift Fork(s)

E1362



2007 Ninja® ZX™-10R PARTS LIST

Gear Change Drum/Shift Fork(s)

| ITEM NAME | PART NUMBER | QUANTITY |
|---------------------------------------|-------------|----------|
| ROLLER,4X6 (Ref # 610) | 610A0406 | 1 |
| FORK-SHIFT,INPUT (Ref # 13140) | 13140-0027 | 1 |
| FORK-SHIFT,OUTPUT (Ref # 13140A) | 13140-0028 | 2 |
| CAM-CHANGE DRUM (Ref # 13145) | 13145-0019 | 1 |
| SWITCH-COMP,NEUTRAL (Ref # 13151) | 13151-0017 | 1 |
| DRUM-ASSY-CHANGE (Ref # 13239) | 13239-0016 | 1 |
| ROD-SHIFT,INPUT (Ref # 49047) | 49047-0021 | 1 |
| ROD-SHIFT,OUTPUT (Ref # 49047A) | 49047-0022 | 1 |
| SCREW,PAN-WP-CROS,5X20 (Ref # 92009) | 92009-1905 | 2 |
| PIN (Ref # 92043) | 92043-1654 | 2 |
| BEARING-BALL,16005(NTN) (Ref # 92045) | 92045-1045 | 1 |
| BEARING-BALL,6806 (Ref # 92045A) | 92045-1152 | 1 |
| RING-O (Ref # 92055) | 92055-091 | 1 |
| SPRING (Ref # 92145) | 92145-1414 | 2 |
| BOLT,SOCKET,6X20 (Ref # 92150) | 92150-1880 | 1 |