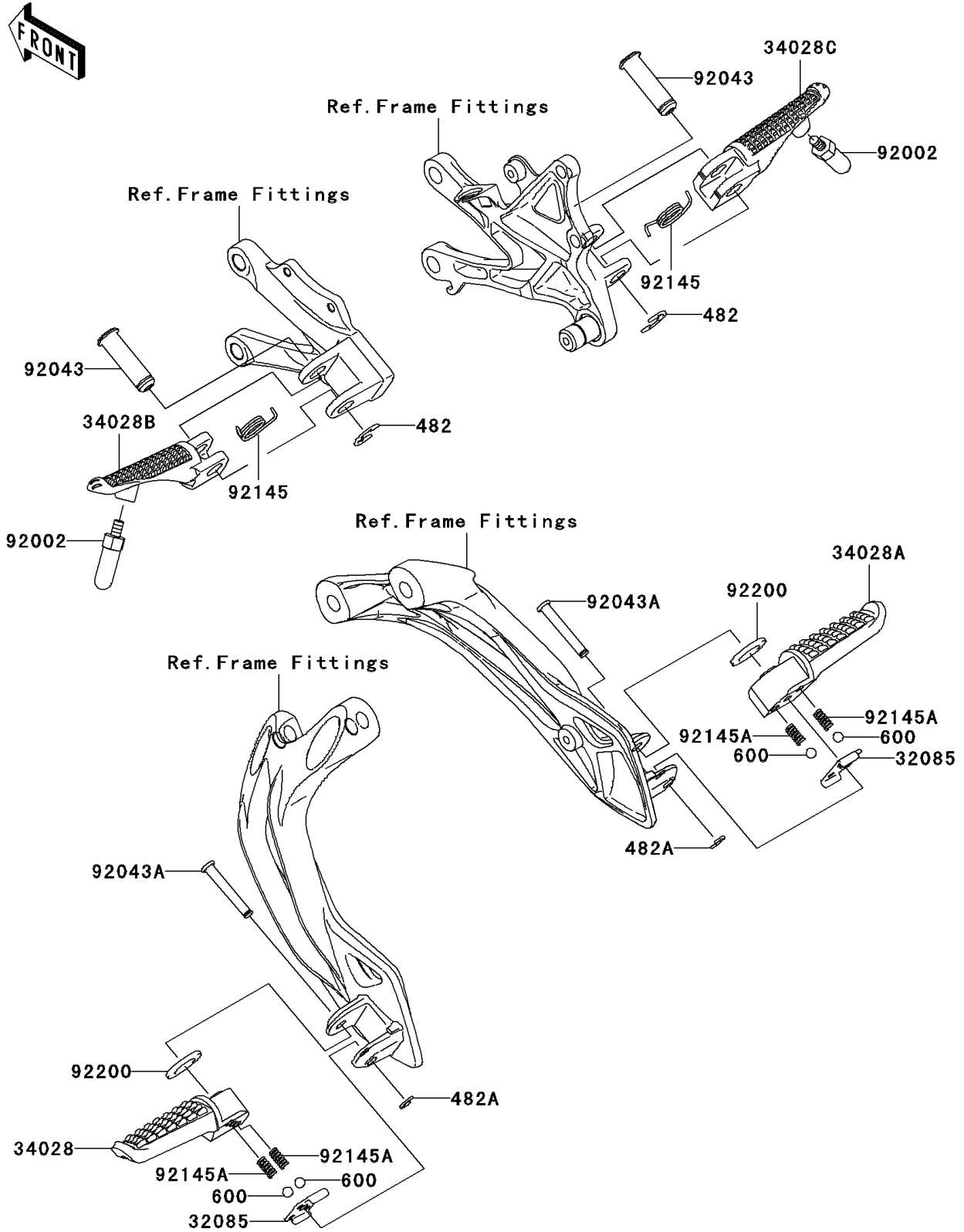


2007 Ninja[®] ZX[™]-10R PARTS DIAGRAM

Footrests

F2160



2007 Ninja® ZX™-10R PARTS LIST

Footrests

ITEM NAME	PART NUMBER	QUANTITY
CIRCLIP-TYPE-E,10MM (Ref # 482)	482L0100	2
CIRCLIP-TYPE-E,5MM (Ref # 482A)	482L5000	2
BALL-STEEL,1/4" (Ref # 600)	600A0800	4
STOPPER,REAR STEP (Ref # 32085)	32085-0047	2
STEP,RR,LH (Ref # 34028)	34028-0004	1
STEP,RR,RH (Ref # 34028A)	34028-0005	1
STEP,FR,LH (Ref # 34028B)	34028-0029	1
STEP,FR,RH (Ref # 34028C)	34028-0030	1
BOLT,BANK SENSOR (Ref # 92002)	92002-1995	2
PIN,12X36.5 (Ref # 92043)	92043-0028	2
PIN,6X40 (Ref # 92043A)	92043-1595	2
SPRING,STEP RETURN (Ref # 92145)	92145-0376	2
SPRING (Ref # 92145A)	92145-1319	4
WASHER,16X26X2.3 (Ref # 92200)	92200-0043	2