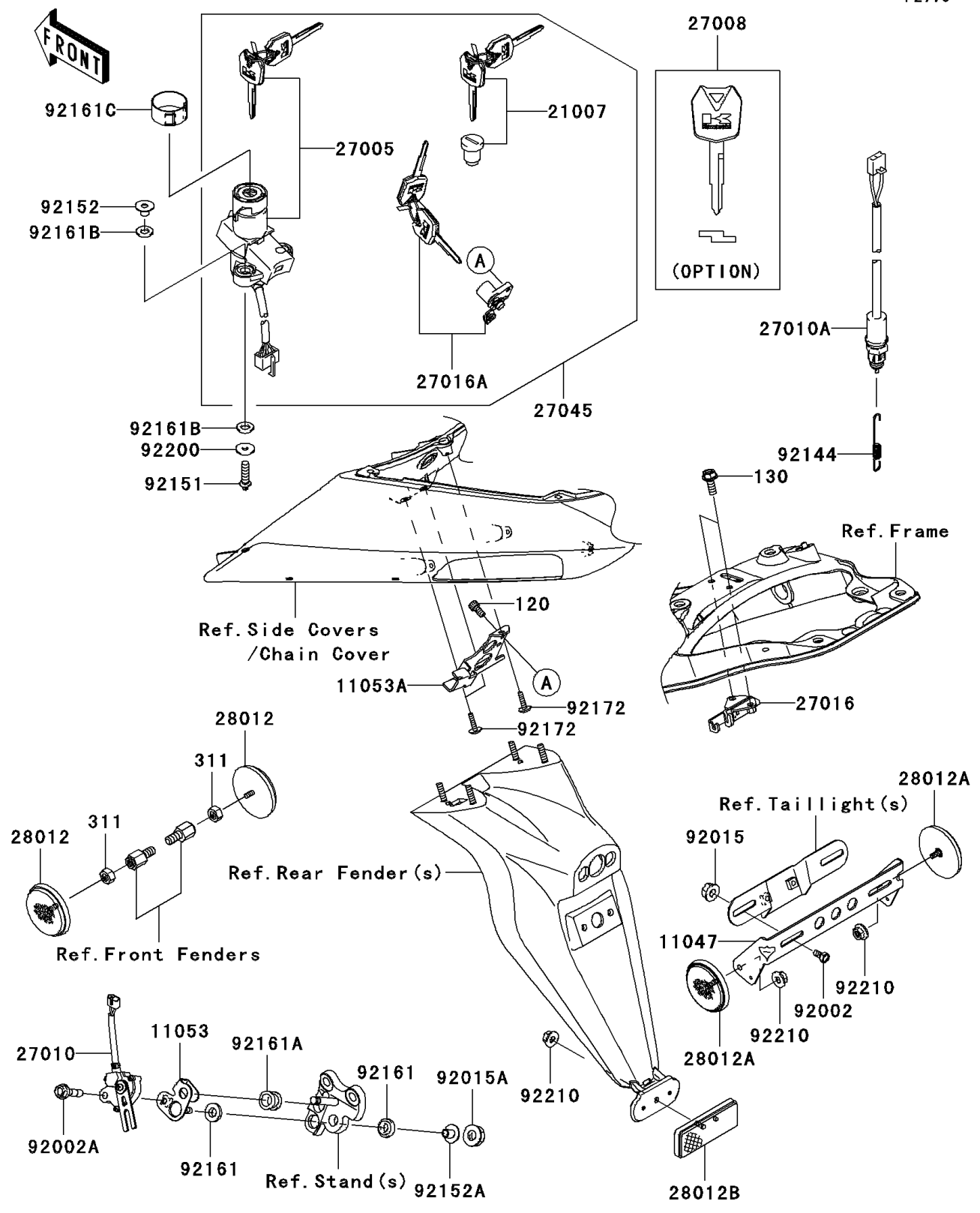


# 2007 Ninja® ZX™-10R PARTS DIAGRAM

Ignition Switch/Locks/Reflectors

F2770



## 2007 Ninja® ZX™-10R PARTS LIST

### Ignition Switch/Locks/Reflectors

ITEM NAME	PART NUMBER	QUANTITY
BOLT-SOCKET,5X12 (Ref # 120)	120S0512	2
BOLT-FLANGED,6X16 (Ref # 130)	130L0616	2
NUT-HEX (Ref # 311)	311C0500	2
BRACKET,REFLECTOR (Ref # 11047)	11047-1470	1
BRACKET,SIDE STAND SWITCH (Ref # 11053)	11053-0723	1
BRACKET,SEAT LOCK (Ref # 11053A)	11053-1856	1
ROTOR,LOCK,TANK CAP (Ref # 21007)	21007-5057	1
SWITCH-ASSY-IGNITION (Ref # 27005)	27005-5137	1
KEY-LOCK,BLANK (Ref # 27008)	27008-0030	1
SWITCH,SIDE STAND (Ref # 27010)	27010-1455	1
SWITCH,REAR BRAKE (Ref # 27010A)	27010-1486	1
LOCK-ASSY,SEAT STRIKER (Ref # 27016)	27016-1115	1
LOCK-ASSY,SEAT (Ref # 27016A)	27016-5309	1
SWITCH-ASSY (Ref # 27045)	27045-5336	1
REFLECTOR-REFLEX,FR,SIDE (Ref # 28012)	28012-0001	2
REFLECTOR-REFLEX (Ref # 28012A)	28012-0002	2
REFLECTOR-REFLEX (Ref # 28012B)	28012-1077	1
BOLT,6X12 (Ref # 92002)	92002-1132	2
BOLT,FLANGED,6X25 (Ref # 92002A)	92002-1582	1
NUT,FLANGED,6MM (Ref # 92015)	92015-1367	2
NUT,6MM (Ref # 92015A)	92015-1386	1
SPRING,BRAKE LAMP SWITCH (Ref # 92144)	92144-1139	1
BOLT,TORX,6X22 (Ref # 92151)	92151-1946	2
COLLAR (Ref # 92152)	92152-0352	2
COLLAR (Ref # 92152A)	92152-1074	1
DAMPER (Ref # 92161)	92161-0117	2
DAMPER (Ref # 92161A)	92161-0118	1
DAMPER,IGNITION SWITCH (Ref # 92161B)	92161-0240	4
DAMPER,IGNITION SWITCH (Ref # 92161C)	92161-0257	1

## 2007 Ninja® ZX™-10R PARTS LIST

Ignition Switch/Locks/Reflectors

ITEM NAME	PART NUMBER	QUANTITY
SCREW,TAPPING,5X16 (Ref # 92172)	92172-0175	3
WASHER,6X20X1.6 (Ref # 92200)	92200-0212	2
NUT,FLANGED,5MM (Ref # 92210)	92210-0007	3