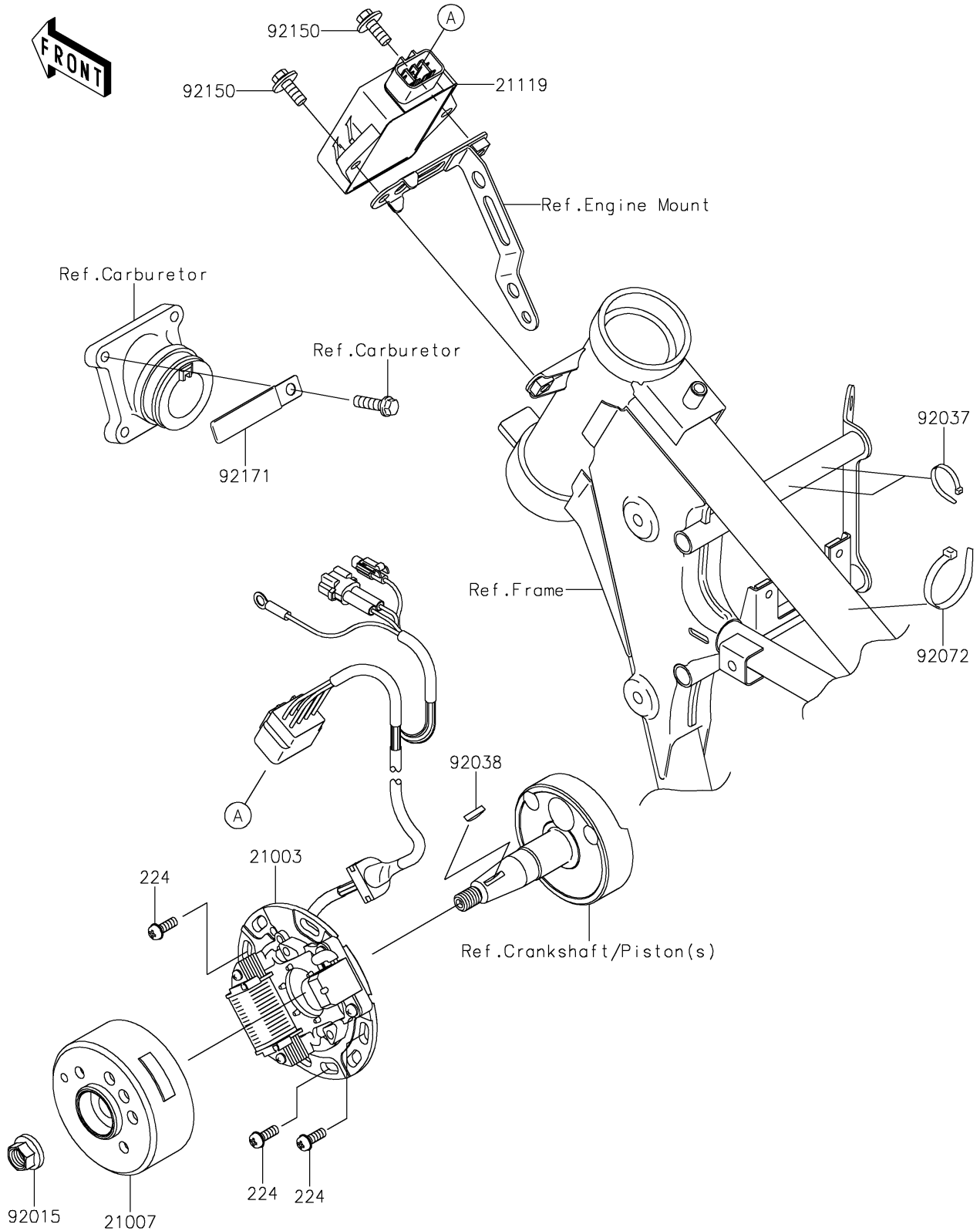


# 2022 KX™65 PARTS DIAGRAM

Generator

E1810



## 2022 KX™65 PARTS LIST

### Generator

| ITEM NAME                          | PART NUMBER | QUANTITY |
|------------------------------------|-------------|----------|
| STATOR (Ref # 21003)               | 21003-0031  | 1        |
| ROTOR (Ref # 21007)                | 21007-0052  | 1        |
| IGNITER (Ref # 21119)              | 21119-0047  | 1        |
| NUT,FLANGED,10MM (Ref # 92015)     | 92015-077   | 1        |
| CLAMP (Ref # 92037)                | 92037-1173  | 2        |
| KEY,WOODRUFF (Ref # 92038)         | 92038-001   | 1        |
| BAND,L=140 (Ref # 92072)           | 92072-1293  | 1        |
| BOLT,FLANGED,6X16 (Ref # 92150)    | 92150-1506  | 2        |
| CLAMP,L=60 (Ref # 92171)           | 92171-0652  | 1        |
| SCREW-PAN-WP-CROS,6X14 (Ref # 224) | 224AA0614   | 3        |