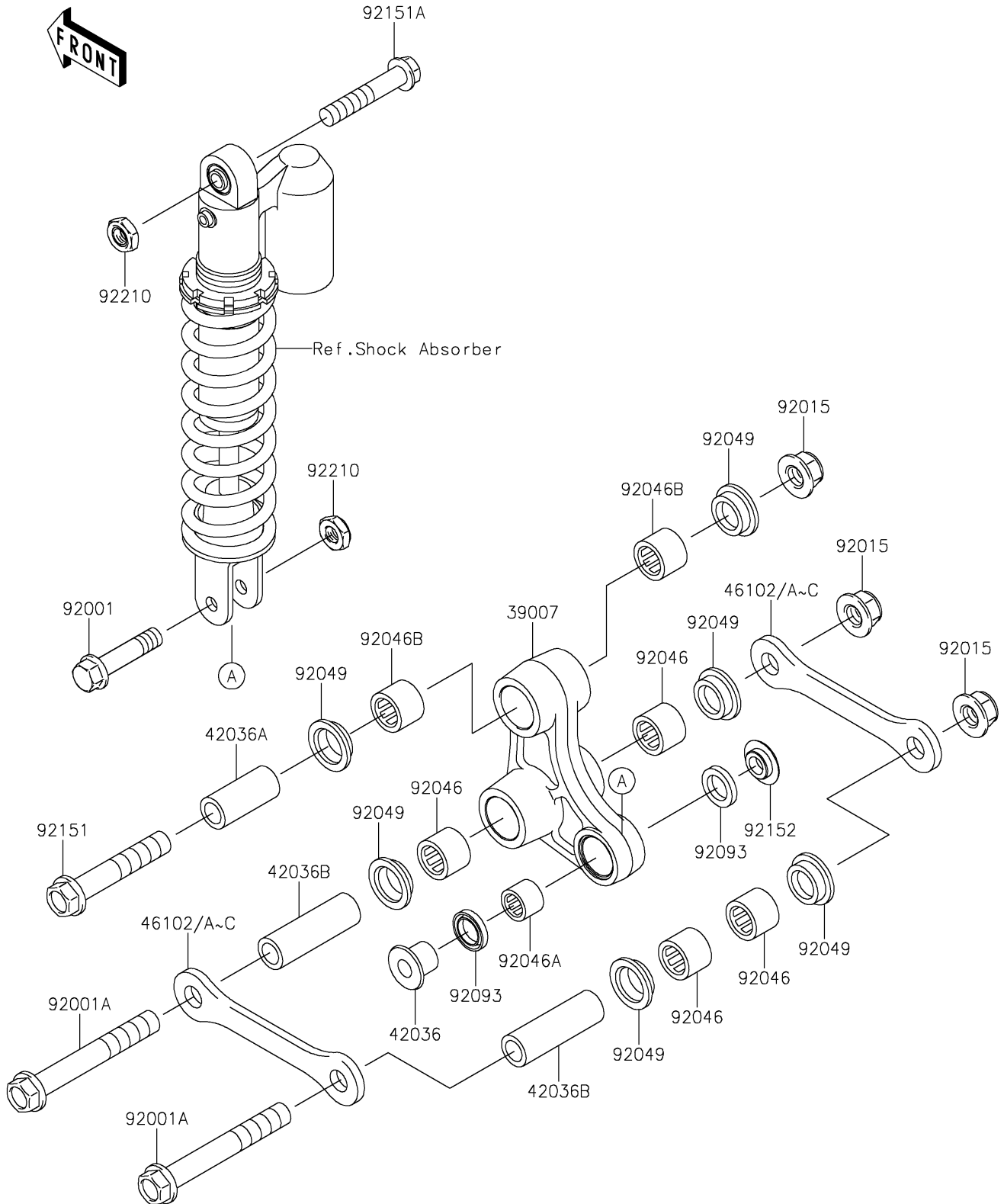


2023 KX™ 65 PARTS DIAGRAM

Rear Suspension

F2150



2023 KX™65 PARTS LIST

Rear Suspension

| ITEM NAME | PART NUMBER | QUANTITY |
|----------------------------------------|-------------|----------|
| ARM-SUSP,UNI TRAK (Ref # 39007) | 39007-1299 | 1 |
| SLEEVE (Ref # 42036) | 42036-1351 | 1 |
| SLEEVE,12X18X40 (Ref # 42036A) | 42036-1364 | 1 |
| SLEEVE,12X18X61 (Ref # 42036B) | 42036-1370 | 2 |
| ROD,SUSPENSION,L=88.3 (Ref # 46102) | 46102-1430 | 2 |
| ROD,SUSPENSION,L=87.3 (Ref # 46102A) | 46102-1431 | 2 |
| ROD,SUSPENSION,L=86.3 (Ref # 46102B) | 46102-1432 | 2 |
| ROD,SUSPENSION,L=85.3 (Ref # 46102C) | 46102-1433 | 2 |
| BOLT,FLANGED,10X44 (Ref # 92001) | 92001-1499 | 1 |
| BOLT,FLANGED,12X88 (Ref # 92001A) | 92001-1693 | 2 |
| NUT,LOCK,FLANGED,12MM (Ref # 92015) | 92015-1433 | 3 |
| BEARING-NEEDLE,18BM2416 (Ref # 92046) | 92046-1144 | 4 |
| BEARING-NEEDLE,16BM2212 (Ref # 92046A) | 92046-1192 | 1 |
| BEARING-NEEDLE,HK1812 (Ref # 92046B) | 92046-1271 | 2 |
| SEAL-OIL (Ref # 92049) | 92049-1328 | 6 |
| SEAL (Ref # 92093) | 92093-1436 | 2 |
| BOLT,FLANGED,12X67 (Ref # 92151) | 92151-1766 | 1 |
| BOLT,FLANGED,10X54 (Ref # 92151A) | 92151-1785 | 1 |
| COLLAR (Ref # 92152) | 92152-1139 | 1 |
| NUT,LOCK,10MM (Ref # 92210) | 92210-1184 | 2 |