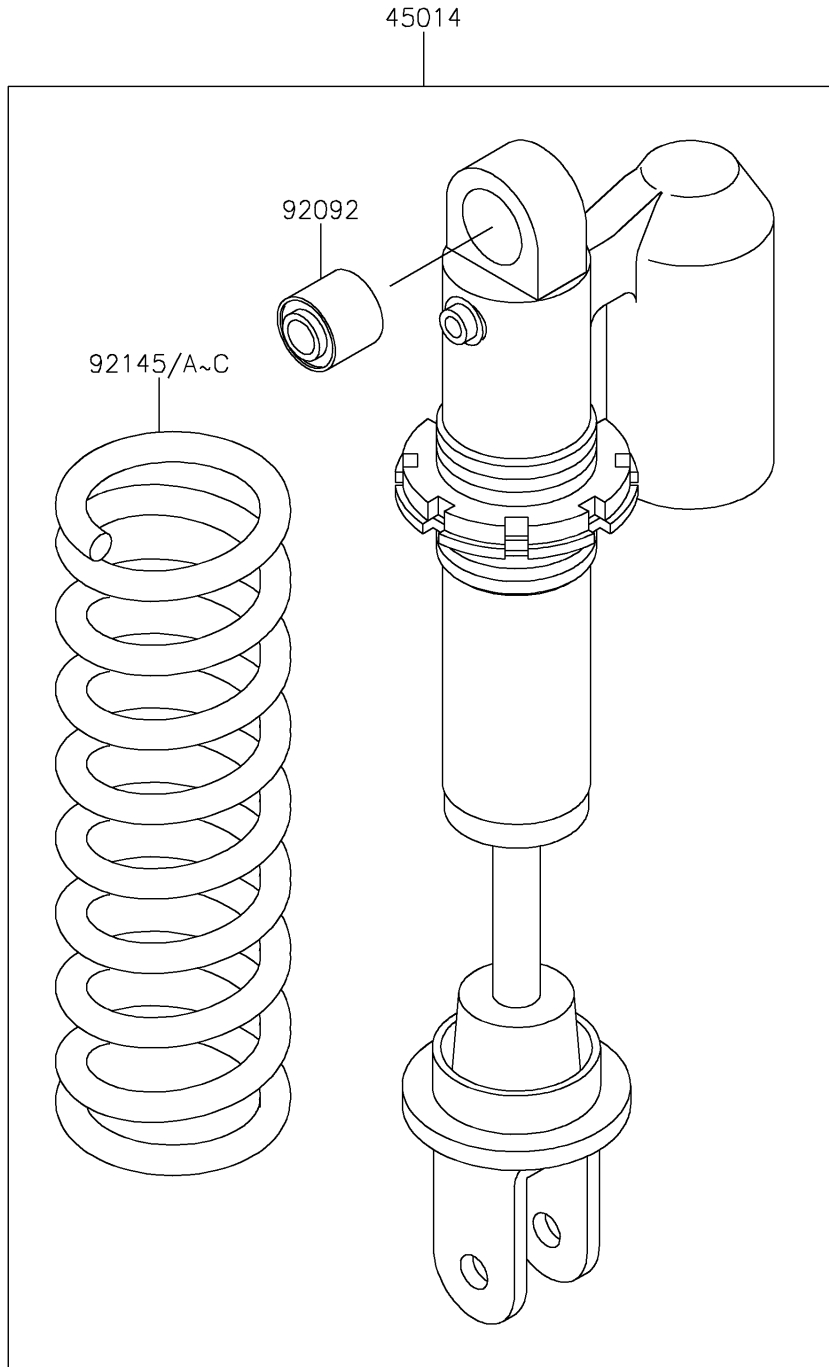


# 2023 KX™ 65 PARTS DIAGRAM

Shock Absorber(s)

F2280



## 2023 KX™65 PARTS LIST

### Shock Absorber(s)

| ITEM NAME                                  | PART NUMBER   | QUANTITY |
|--------------------------------------------|---------------|----------|
| SHOCKABSORBER,BLACK (Ref # 45014)          | 45014-0120-10 | 1        |
| BUSHING-RUBBER (Ref # 92092)               | 92092-1078    | 1        |
| SPRING,SHOCK,K=44.1N/MM,BLK (Ref # 92145)  | 92145-1474-10 | 1        |
| SPRING,SHOCK,K=46.1N/MM,BLK (Ref # 92145A) | 92145-1475-10 | 1        |
| SPRING,SHOCK,K=48.1N/MM,BLK (Ref # 92145B) | 92145-1476-10 | 1        |
| SPRING,SHOCK,K=50.0N/MM,BLK (Ref # 92145C) | 92145-1477-10 | 1        |