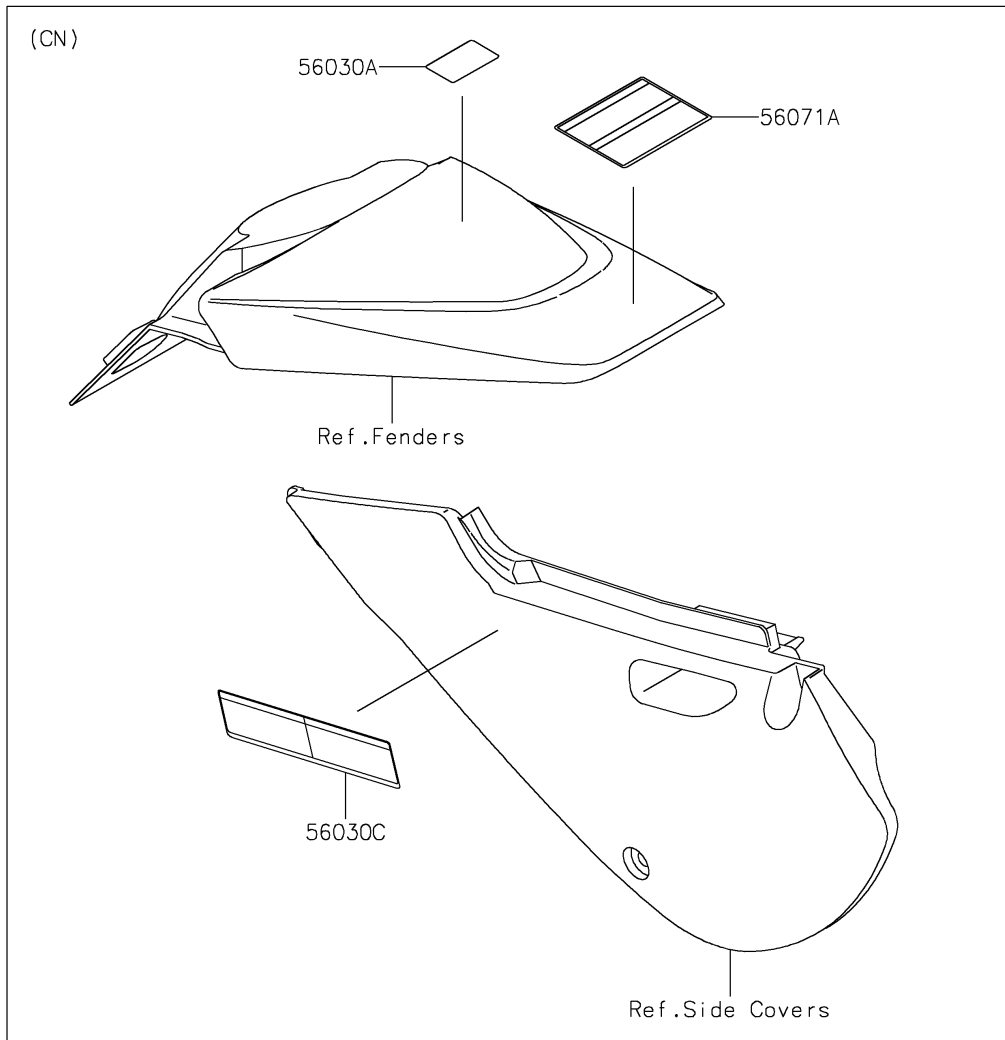
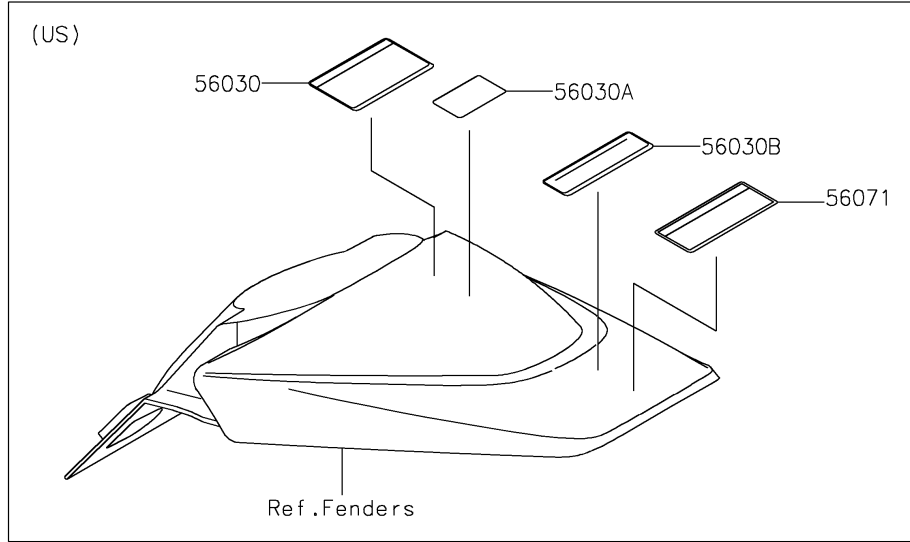


# 2022 KX™65 PARTS DIAGRAM

Labels(GMFNN-CRFNN)

F2860



## 2022 KX™65 PARTS LIST

Labels(GMFNN-CRFNN)

| ITEM NAME                                     | PART NUMBER | QUANTITY |
|---|-------------|----------|
| LABEL,DISCLAIMER (Ref # 56030)                | 56030-0926  | 1        |
| LABEL,32:1 (Ref # 56030A)                     | 56030-1230  | 1        |
| LABEL,NOISE EMISSION (Ref # 56030B)           | 56030-1231  | 1        |
| LABEL,DISCLAIMER (Ref # 56030C)               | 56030-1233  | 1        |
| LABEL-WARNING,IMPORTANT NOTICE (Ref # 56071)  | 56071-0028  | 1        |
| LABEL-WARNING,IMPORTANT NOTICE (Ref # 56071A) | 56071-0029  | 1        |