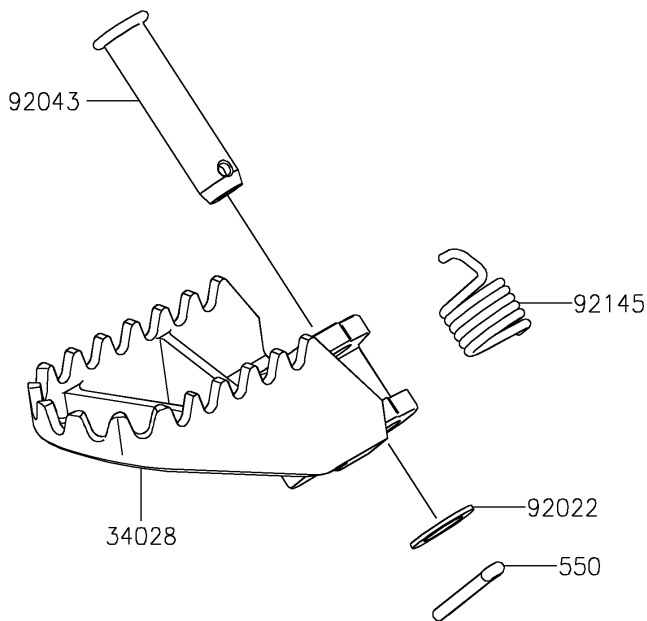
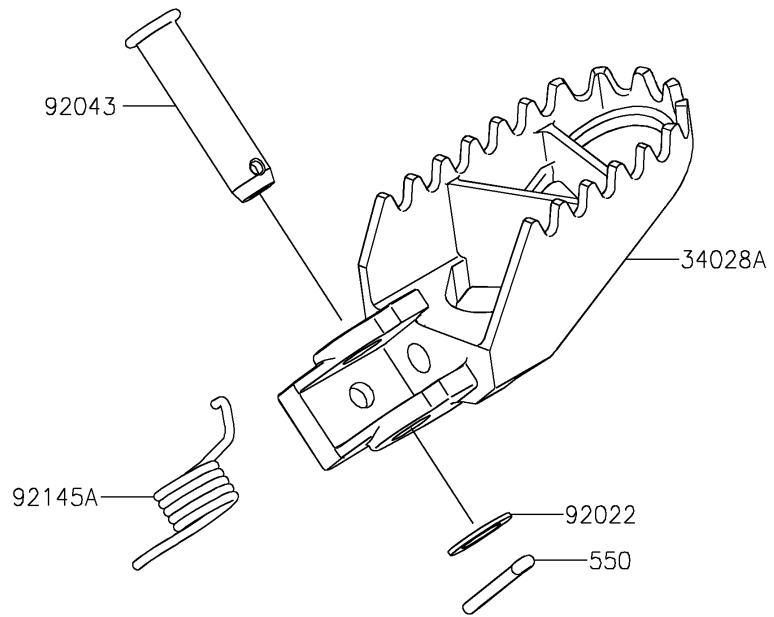


2022 KX™112 PARTS DIAGRAM

Footrests

F2160



2022 KX™112 PARTS LIST

Footrests

| ITEM NAME | PART NUMBER | QUANTITY |
|--------------------------------|---------------|----------|
| STEP,LH,SILVER (Ref # 34028) | 34028-1498-CE | 1 |
| STEP,RH,SILVER (Ref # 34028A) | 34028-1499-CE | 1 |
| WASHER,10.2X16X1 (Ref # 92022) | 92022-1829 | 2 |
| PIN,10X37.5 (Ref # 92043) | 92043-1764 | 2 |
| SPRING,STEP,LH (Ref # 92145) | 92145-0951 | 1 |
| SPRING,STEP,RH (Ref # 92145A) | 92145-0952 | 1 |
| PIN-COTTER,3.0X20 (Ref # 550) | 550S3020 | 2 |