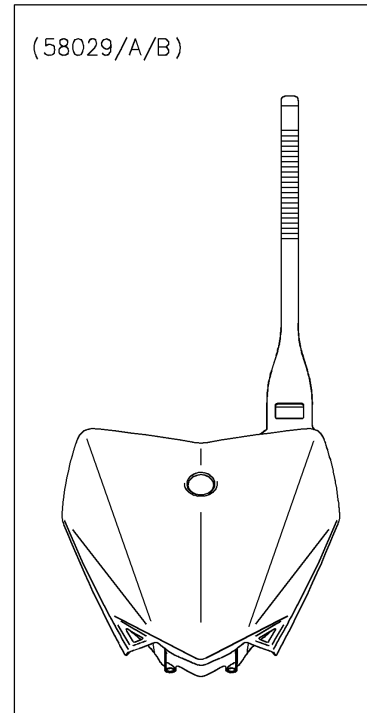
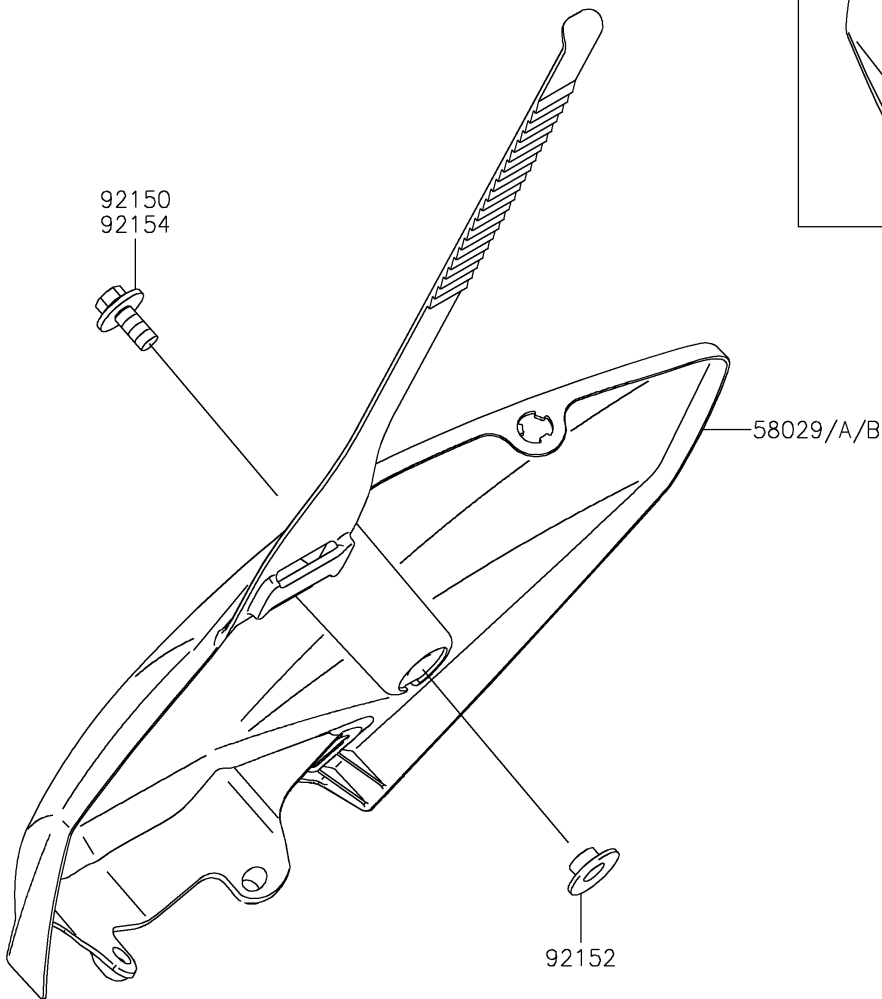


# 2024 KLX110 PARTS DIAGRAM

Accessory

F2910



WOD

## 2024 KLX110 PARTS LIST

### Accessory

ITEM NAME	PART NUMBER	QUANTITY
PLATE-NUMBER,L.GREEN (Ref # 58029A)	58029-0010-290	1
PLATE-NUMBER,B.GRAY (Ref # 58029B)	58029-0010-67A	1
BOLT,6X14 (Ref # 92150)	92150-1340	1
COLLAR (Ref # 92152)	92152-0427	1
BOLT,FLANGED,6X14 (Ref # 92154)	92154-1231	1