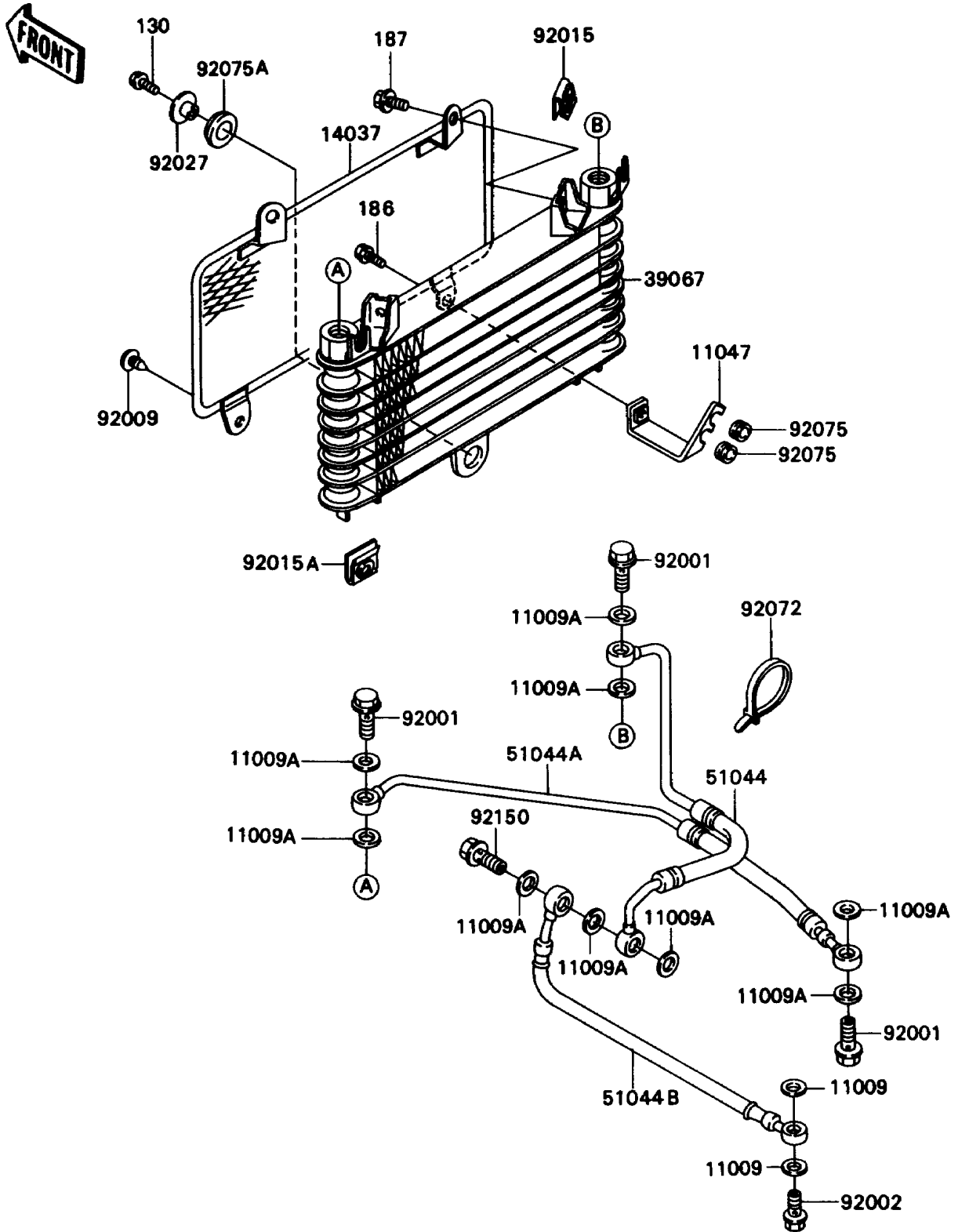


# 1990 Ninja® ZX™-11 PARTS DIAGRAM

Oil Cooler

E3034



# 1990 Ninja® ZX™-11 PARTS LIST

## Oil Cooler

ITEM NAME	PART NUMBER	QUANTITY
GASKET,OIL PIPE,8.2X14X1.0 (Ref # 11009)	11009-1344	2
GASKET,14X19.5X1.4 (Ref # 11009A)	11009-1461	9
BRACKET (Ref # 11047)	11047-1105	1
SCREEN,OIL COOLER (Ref # 14037)	14037-1126	1
COOLER-OIL (Ref # 39067)	39067-1057	1
TUBE-ASSY (Ref # 51044)	51044-1119	1
TUBE-ASSY (Ref # 51044A)	51044-1120	1
TUBE-ASSY,OIL (Ref # 51044B)	51044-1130	1
BOLT,14X28.5 (Ref # 92001)	92001-1930	3
BOLT,BANJO,8X20 (Ref # 92002)	92002-1429	1
SCREW,TAPPING,6MM (Ref # 92009)	92009-1261	1
NUT (Ref # 92015)	92015-1487	2
NUT,6MM (Ref # 92015A)	92015-1758	1
COLLAR,FLANGED,L=12.1,BLACK (Ref # 92027)	92027-1651	1
BAND,L=250 (Ref # 92072)	92072-1237	1
DAMPER,OIL COOLER (Ref # 92075)	92075-1942	2
DAMPER (Ref # 92075A)	92075-277	1
BOLT,BANJO,14X46 (Ref # 92150)	92150-1324	1
BOLT-FLANGED,6X25 (Ref # 130)	130J0625	1
BOLT-UPSET-WP (Ref # 186)	186G0612	1
BOLT-UPSET-WSP (Ref # 187)	187G0616	2