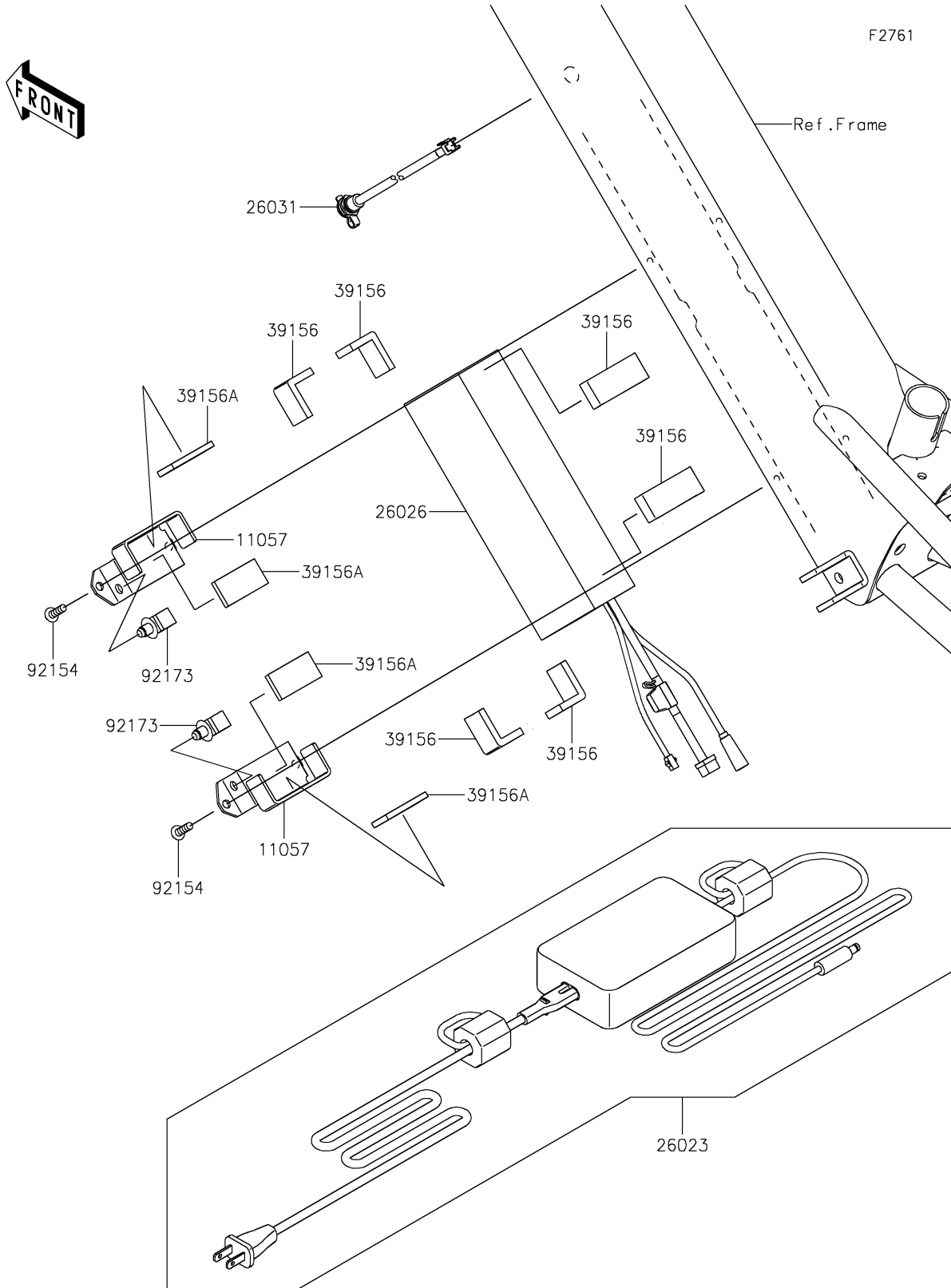


# 2025 Elektrode PARTS DIAGRAM

Battery



## 2025 Elektrode PARTS LIST

### Battery

ITEM NAME	PART NUMBER	QUANTITY
BRACKET (Ref # 11057)	11057-7933	2
CHARGER-BATTERY (Ref # 26023)	26023-0001	1
BATTERY-LI-ION-STARTER (Ref # 26026)	26026-0004	1
HARNESS,DC CHARGER (Ref # 26031)	26031-3903	1
PAD,20X50X5 (Ref # 39156)	39156-2191	6
PAD,40X20X4 (Ref # 39156A)	39156-2690	4
BOLT,SOCKET,5X16 (Ref # 92154)	92154-4294	4
CLAMP,12MM DIA. (Ref # 92173)	92173-0736	2