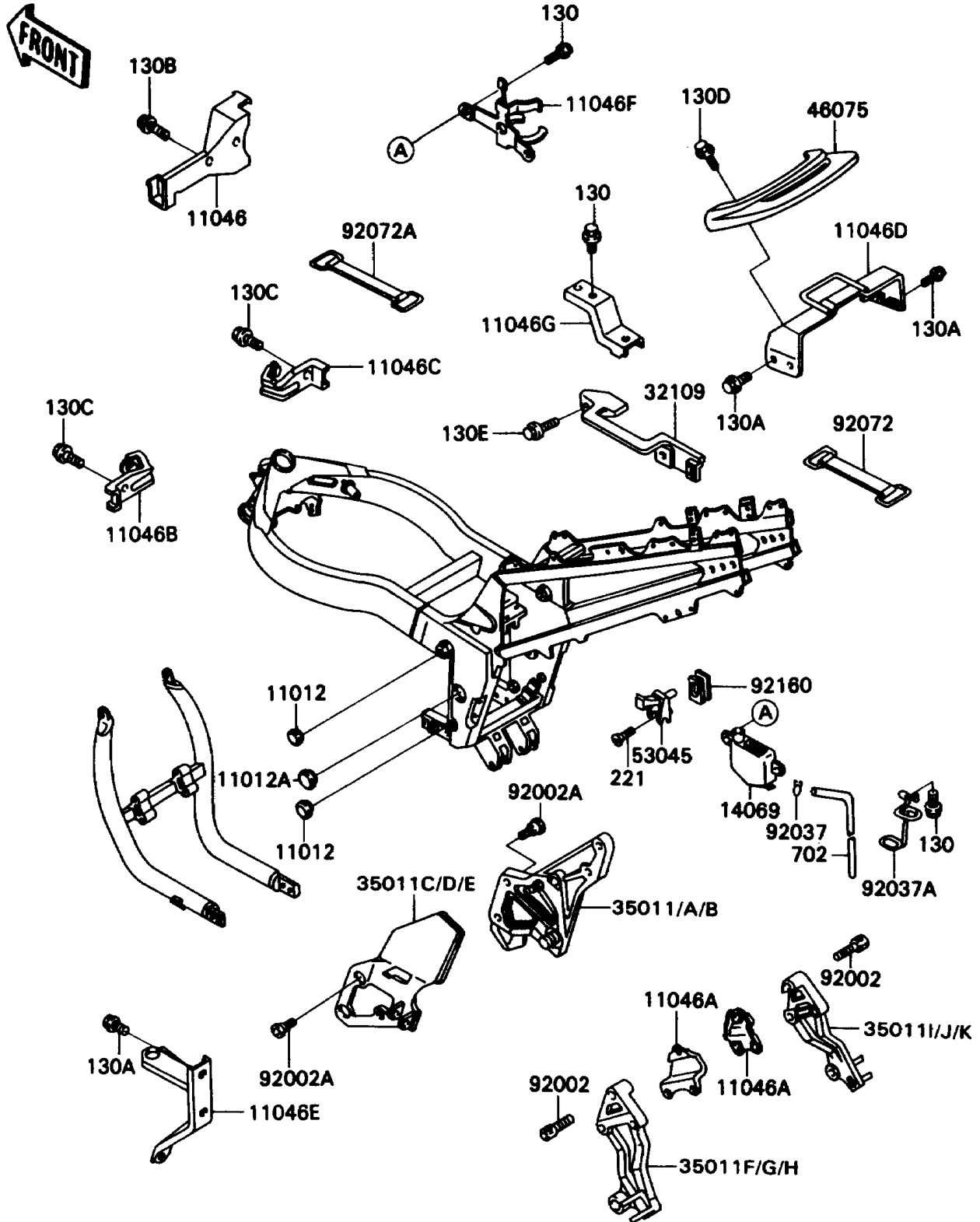


1991 Ninja® ZX™-11 PARTS DIAGRAM

Battery Case

F2132



1991 Ninja® ZX™ -11 PARTS LIST

Battery Case

ITEM NAME	PART NUMBER	QUANTITY
-----------	-------------	----------