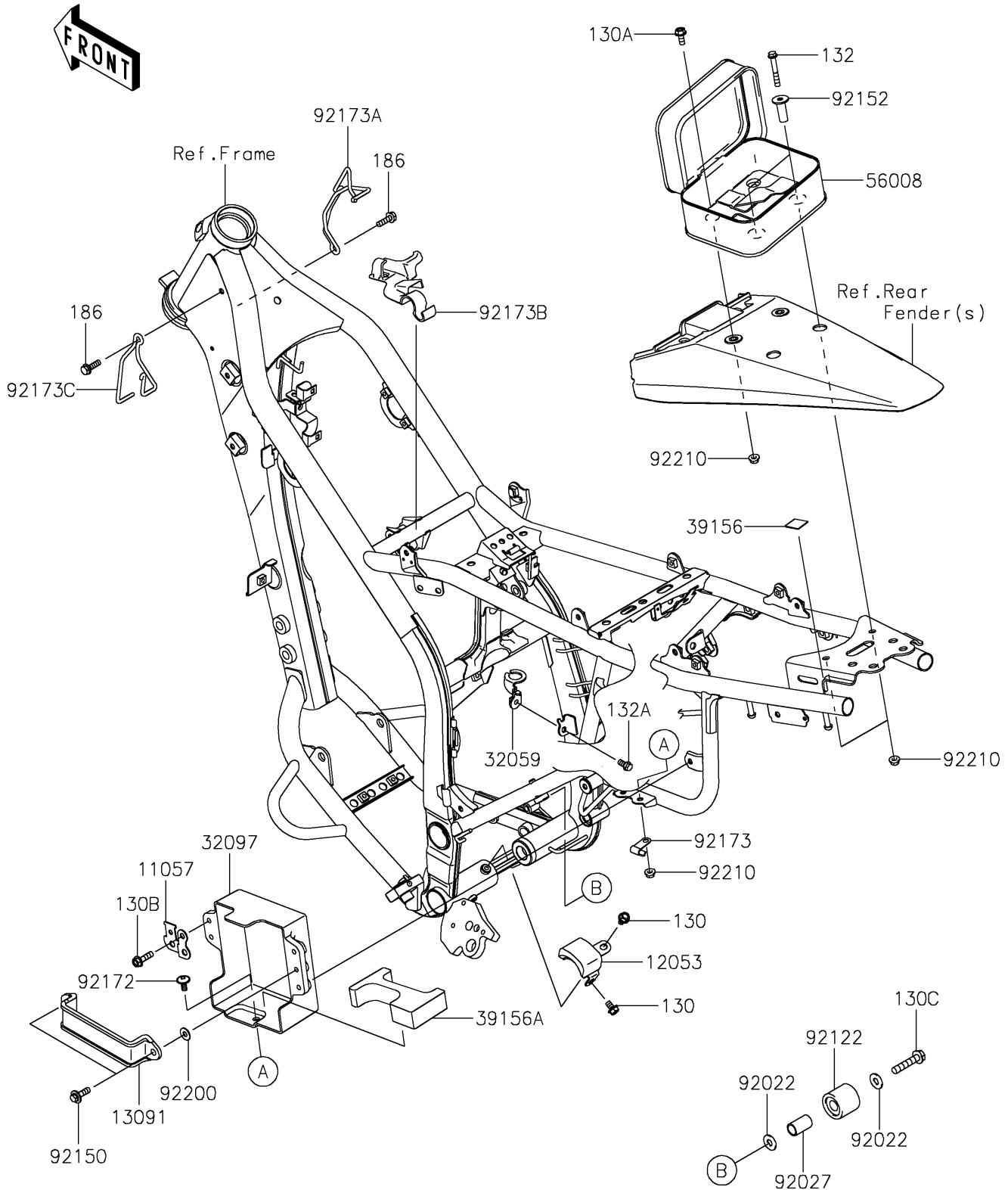


2024 KLX®300SM PARTS DIAGRAM

Frame Fittings

F2131



2024 KLX®300SM PARTS LIST

Frame Fittings

ITEM NAME	PART NUMBER	QUANTITY
BRACKET,SIGNAL LAMP RELAY (Ref # 11057)	11057-4270	1
GUIDE-CHAIN (Ref # 12053)	12053-0001	1
HOLDER (Ref # 13091)	13091-1875	1
BRACKET-SWITCH,BRAKE (Ref # 32059)	32059-1117	1
CASE-BATTERY (Ref # 32097)	32097-0001	1
PAD,20X20X1 (Ref # 39156)	39156-2729	1
PAD,BATTERY (Ref # 39156A)	39156-2766	1
BAG,TOOL,BLACK (Ref # 56008)	56008-0037-MA	1
WASHER,8.5X20X1.6 (Ref # 92022)	92022-1561	2
COLLAR,CHAIN ROLLER (Ref # 92027)	92027-1670	1
ROLLER,CHAIN GUIDE (Ref # 92122)	92122-1153	1
BOLT,FLANGED,6X22 (Ref # 92150)	92150-1481	2
COLLAR (Ref # 92152)	92152-2992	2
SCREW,6X14 (Ref # 92172)	92172-0004	1
CLAMP,HARNESS (Ref # 92173)	92173-1368	1
CLAMP,HARNESS,RH (Ref # 92173A)	92173-2206	1
CLAMP,UNDER TANK (Ref # 92173B)	92173-2311	1
CLAMP,HARNESS,LH (Ref # 92173C)	92173-2312	1
WASHER,6.5X16X1.0 (Ref # 92200)	92200-0796	2
NUT,FLANGED,6MM (Ref # 92210)	92210-0630	5
BOLT-FLANGED,6X10 (Ref # 130)	130BA0610	2
BOLT-FLANGED,6X14 (Ref # 130A)	130BA0614	2
BOLT-FLANGED,6X22 (Ref # 130B)	130BA0622	1
BOLT-FLANGED,8X40 (Ref # 130C)	130BA0840	1
BOLT-FLANGED-SMALL,6X40 (Ref # 132)	132BA0640	2
BOLT-FLANGED-SMALL,6X12 (Ref # 132A)	132BB0612	1
BOLT-UPSET-WP,6X20 (Ref # 186)	186BA0620	2