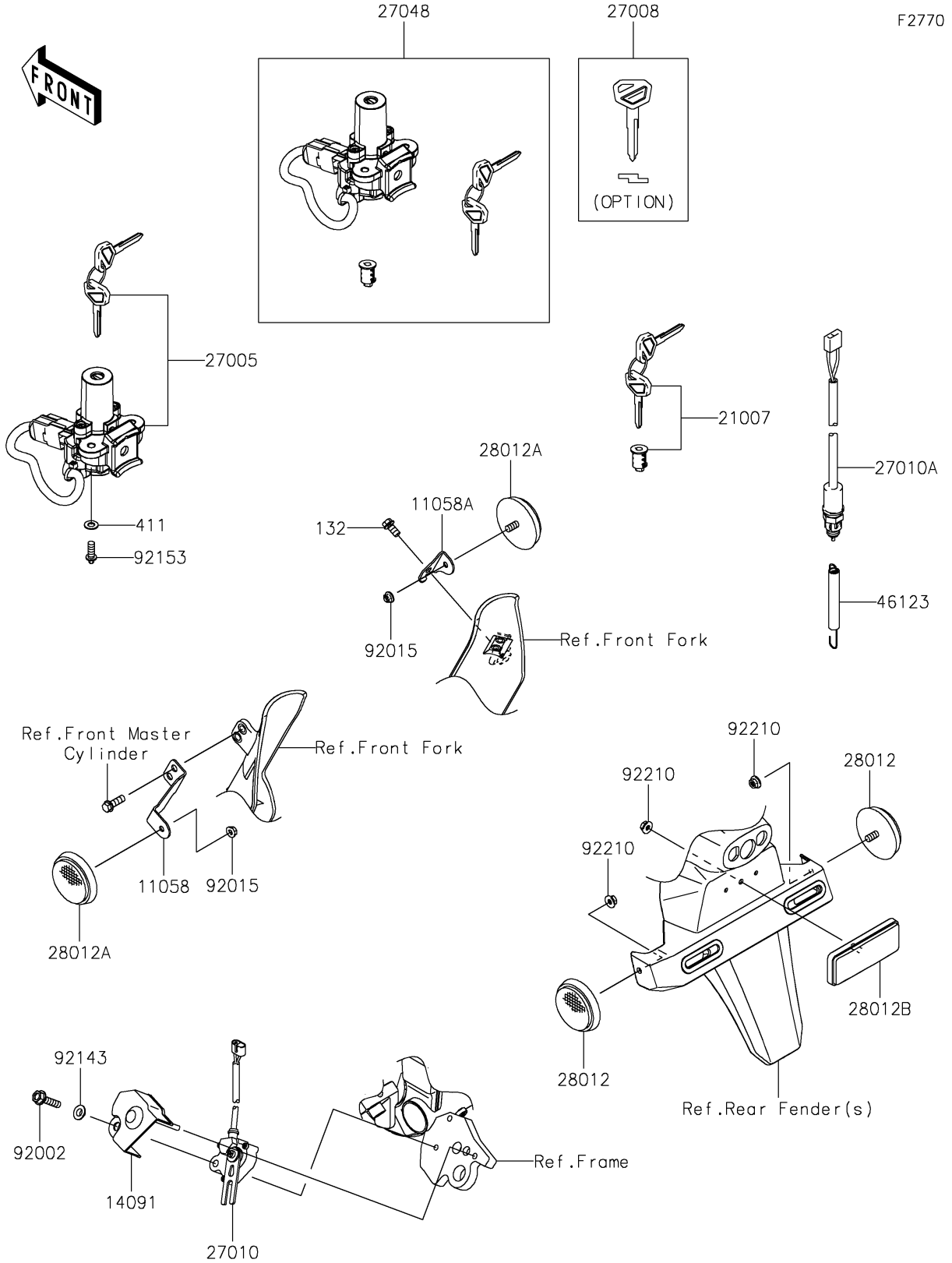


2025 KLX300SM PARTS DIAGRAM

Ignition Switch



2025 KLX300SM PARTS LIST

Ignition Switch

ITEM NAME	PART NUMBER	QUANTITY
BRACKET,REFLECTOR,FR,LH (Ref # 11058)	11058-0865	1
BRACKET,REFLECTOR,FR,RH (Ref # 11058A)	11058-1055	1
COVER,SIDE STAND SWITCH (Ref # 14091)	14091-1553	1
ROTOR,LOCK,TANK CAP (Ref # 21007)	21007-5035	1
SWITCH-ASSY-IGNITION (Ref # 27005)	27005-0697	1
KEY-LOCK,BLANK (Ref # 27008)	27008-1170	1
SWITCH,SIDE STAND (Ref # 27010)	27010-0097	1
SWITCH,REAR BRAKE (Ref # 27010A)	27010-1489	1
SWITCH-ASSY (Ref # 27048)	27048-5315	1
REFLECTOR-REFLEX (Ref # 28012)	28012-0002	2
REFLECTOR-REFLEX,FR (Ref # 28012A)	28012-016	2
REFLECTOR-REFLEX (Ref # 28012B)	28012-1077	1
SPRING-COMP,REAR BRAKE SWITCH (Ref # 46123)	46123-0008	1
BOLT,FLANGED,6X25 (Ref # 92002)	92002-1582	1
NUT,FLANGED,5MM (Ref # 92015)	92015-1259	2
COLLAR (Ref # 92143)	92143-1331	1
BOLT,TORX,6X16 (Ref # 92153)	92153-1426	2
NUT,FLANGED,5MM (Ref # 92210)	92210-0007	3
BOLT-FLANGED-SMALL,6X12 (Ref # 132)	132BB0612	1
WASHER-PLAIN,6MM (Ref # 411)	411AA0600	2