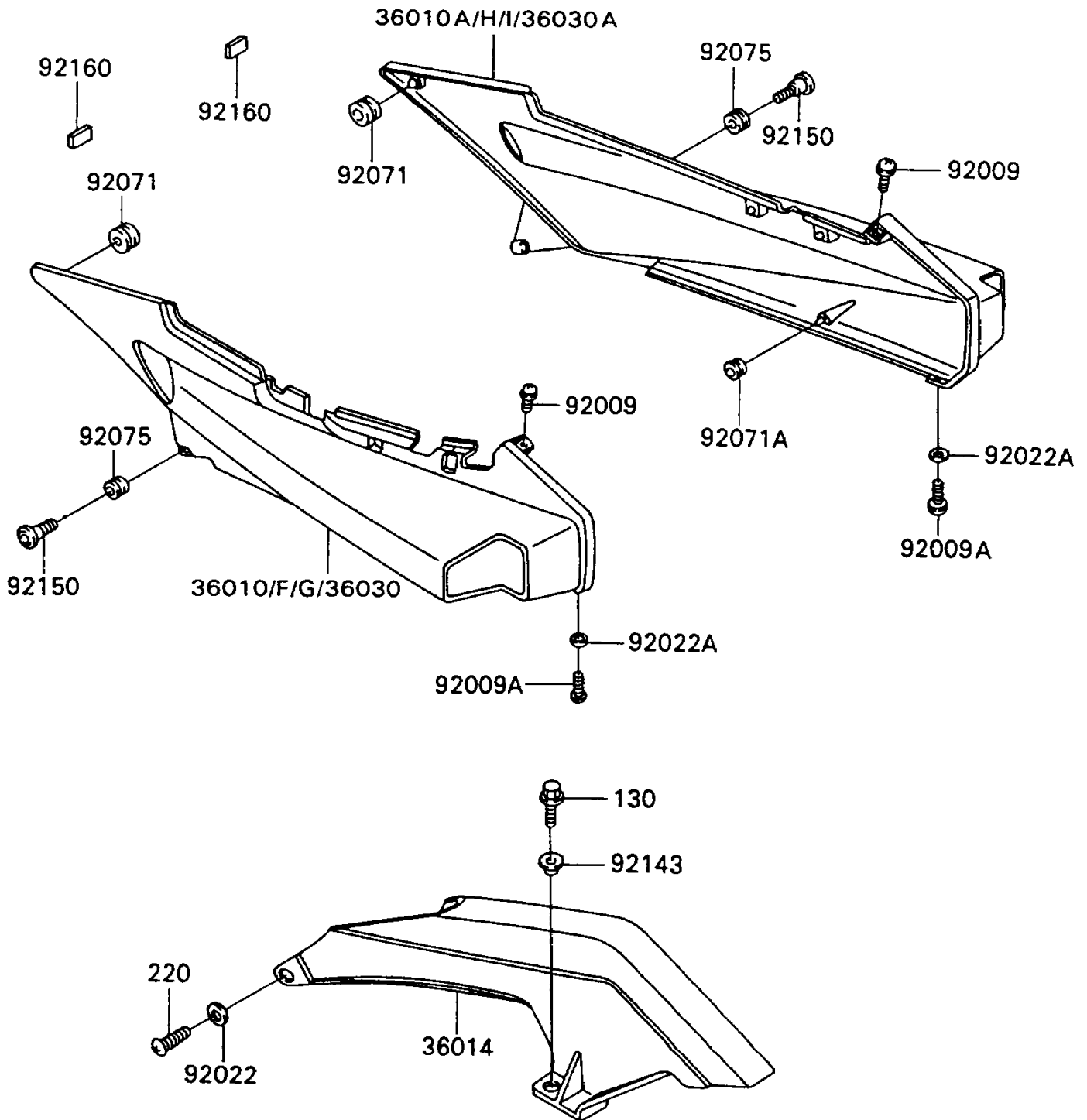


1990 Ninja® ZX™-11 PARTS DIAGRAM

Side Cover/Chain Case

F2610



1990 Ninja® ZX™ -11 PARTS LIST

Side Cover/Chain Case

ITEM NAME	PART NUMBER	QUANTITY
-----------	-------------	----------