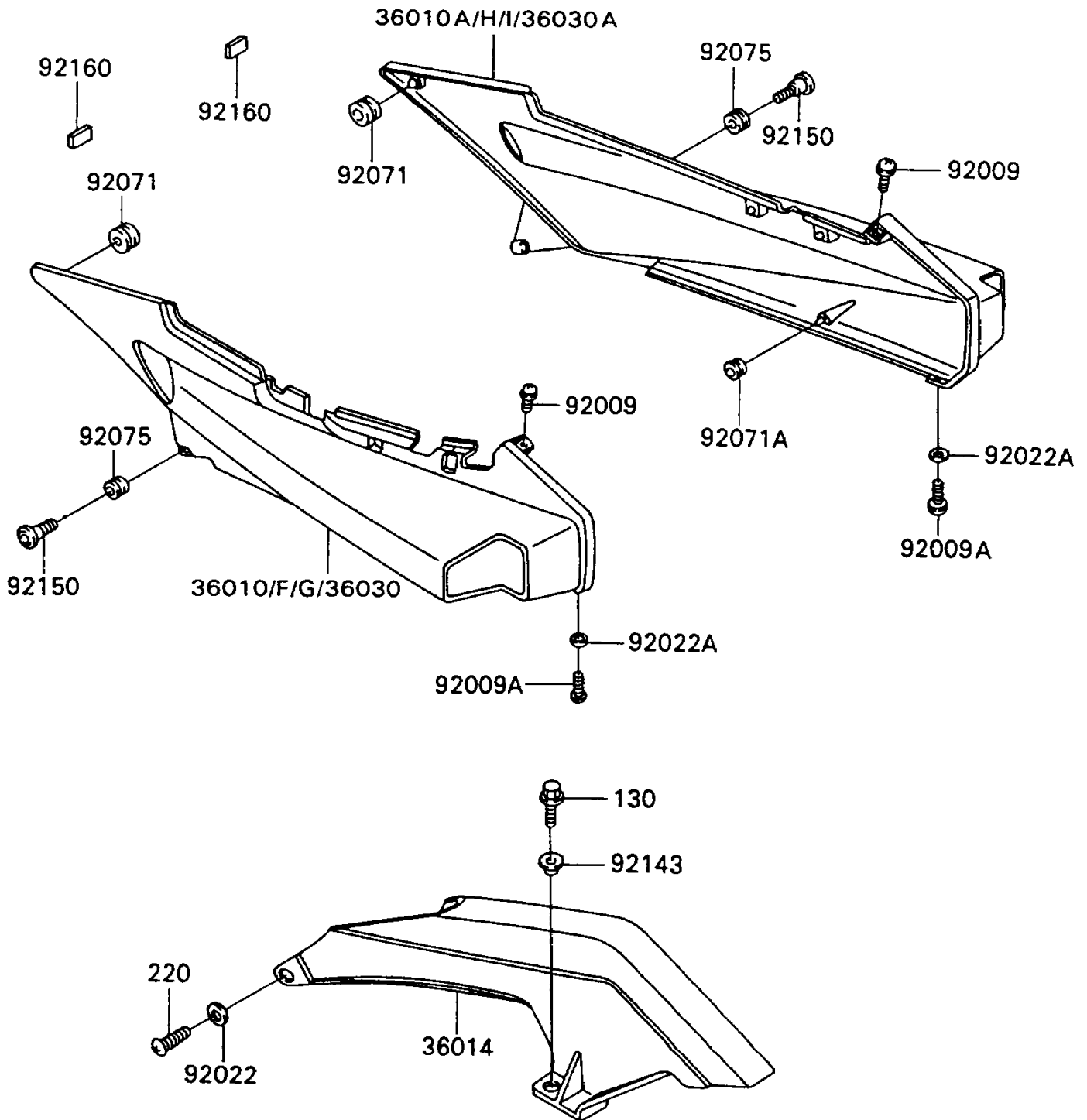


# 1991 Ninja<sup>®</sup> ZX<sup>™</sup>-11 PARTS DIAGRAM

Side Cover/Chain Case

F2610



# 1991 Ninja® ZX™ -11 PARTS LIST

Side Cover/Chain Case

ITEM NAME	PART NUMBER	QUANTITY
-----------	-------------	----------