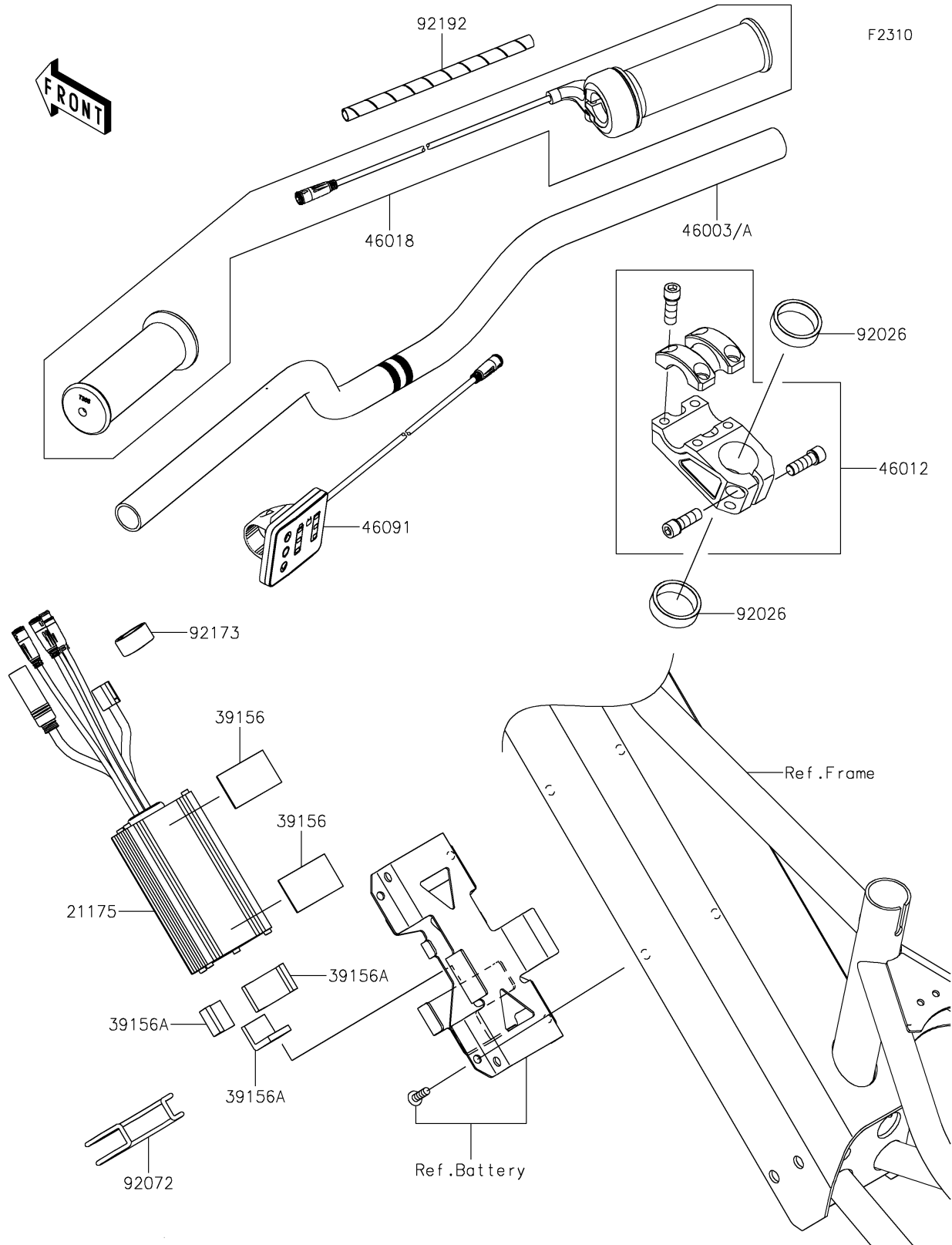


2025 ELEKTRODE® 20 PARTS DIAGRAM

Handlebar



2025 ELEKTRODE® 20 PARTS LIST

Handlebar

| ITEM NAME | PART NUMBER | QUANTITY |
|---------------------------------------|----------------|----------|
| CONTROL UNIT-ELECTRONIC (Ref # 21175) | 21175-2107 | 1 |
| PAD,45X26X1 (Ref # 39156) | 39156-2607 | 2 |
| PAD,40X20X4 (Ref # 39156A) | 39156-2690 | 3 |
| HANDLE,BLACK (Ref # 46003) | 46003-0845-10 | 1 |
| HANDLE,F.S.BLACK (Ref # 46003A) | 46003-0845-18R | 1 |
| HOLDER-HANDLE (Ref # 46012) | 46012-0427 | 1 |
| GRIP-ASSY-THROTTLE (Ref # 46018) | 46018-0269 | 1 |
| HOUSING-ASSY-CONTROL,LH (Ref # 46091) | 46091-0658 | 1 |
| SPACER (Ref # 92026) | 92026-0925 | 2 |
| BAND (Ref # 92072) | 92072-0874 | 1 |
| CLAMP (Ref # 92173) | 92173-2199 | 1 |
| TUBE,SPIRAL,550MM (Ref # 92192) | 92192-2823 | 1 |