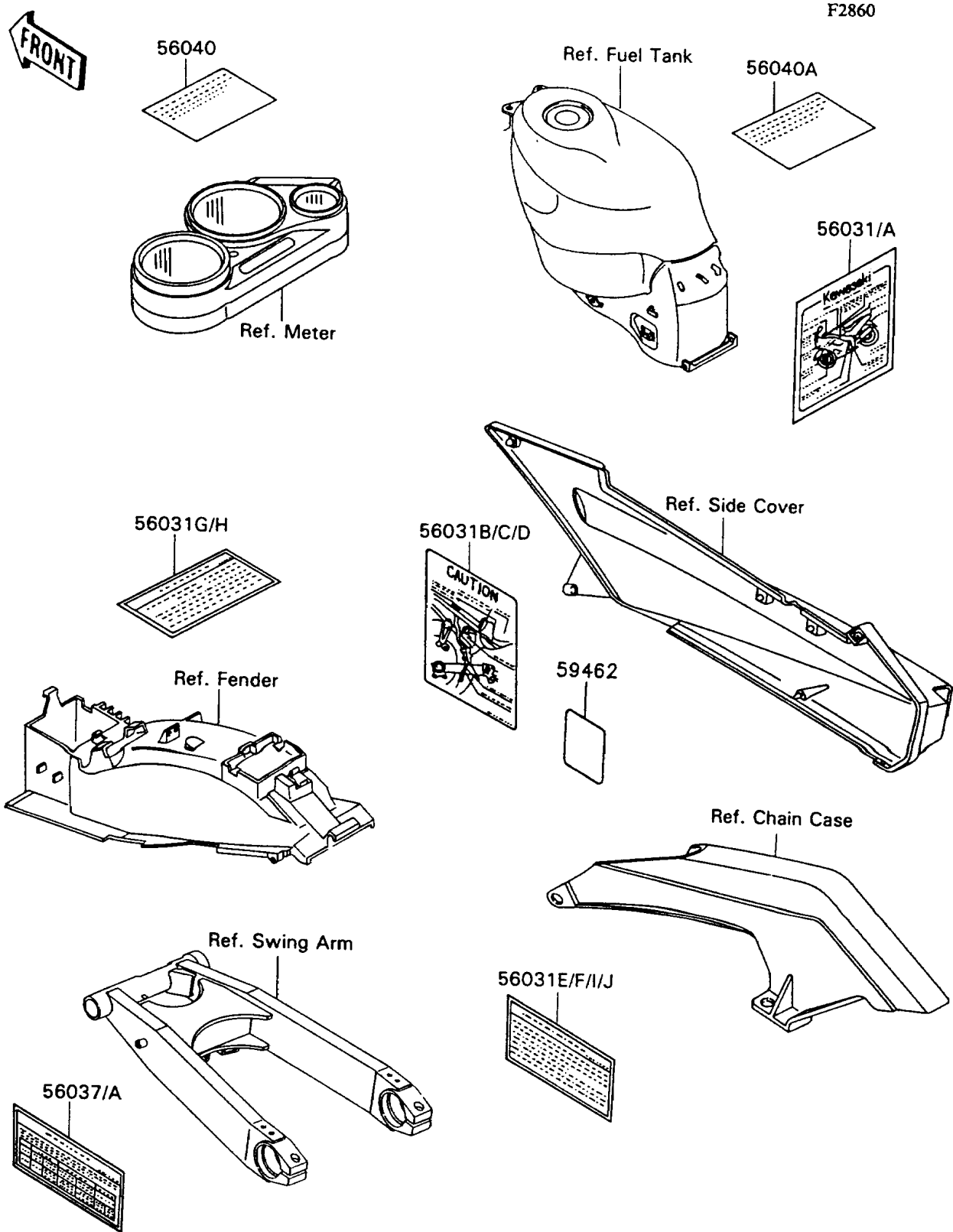


# 1993 Ninja® ZX™ -11 PARTS DIAGRAM

Label



# 1993 Ninja® ZX™ -11 PARTS LIST

Label

ITEM NAME	PART NUMBER	QUANTITY
-----------	-------------	----------