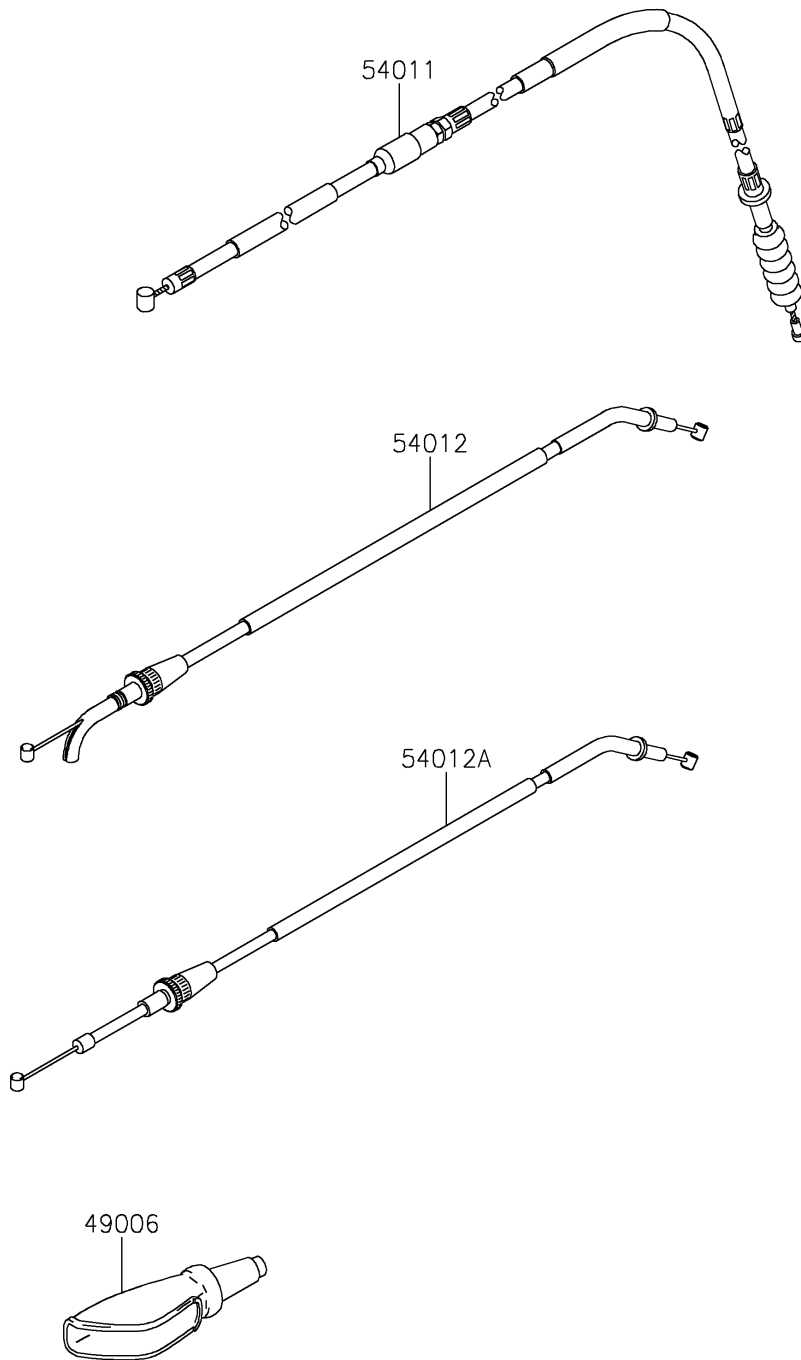


# 2022 KLX300 PARTS DIAGRAM

Cables

F2540



## 2022 KLX300 PARTS LIST

### Cables

ITEM NAME	PART NUMBER	QUANTITY
BOOT,LEVER HOLDER (Ref # 49006)	49006-1017	1
CABLE-CLUTCH (Ref # 54011)	54011-0653	1
CABLE-THROTTLE,OPENING (Ref # 54012)	54012-0263	1
CABLE-THROTTLE,CLOSING (Ref # 54012A)	54012-0264	1