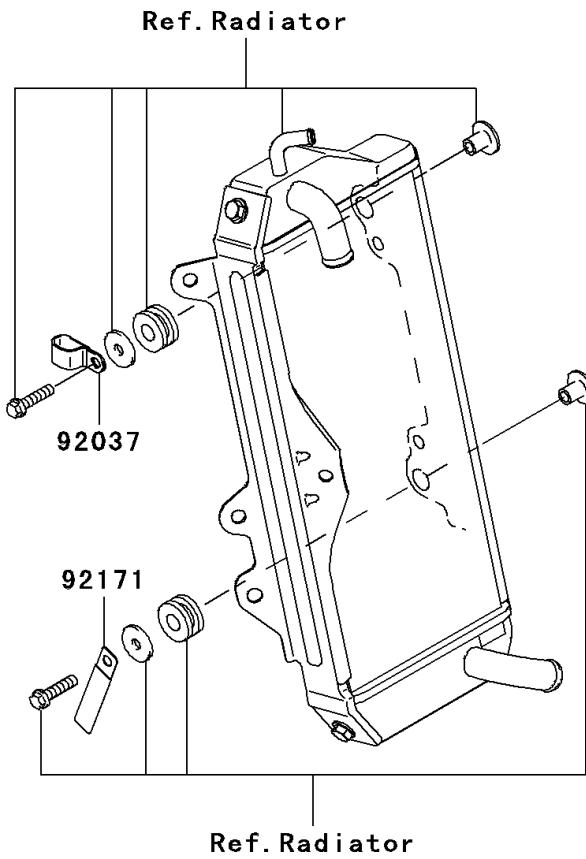
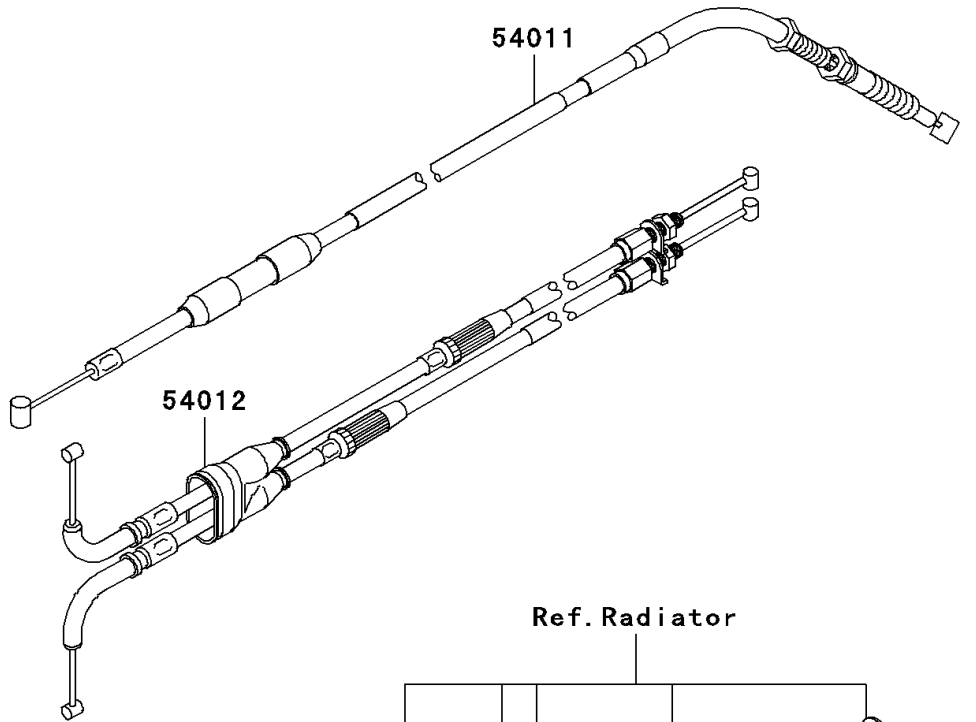


2009 KX™ 450F PARTS DIAGRAM

Cables

F2540



2009 KX™ 450F PARTS LIST

Cables

ITEM NAME	PART NUMBER	QUANTITY
-----------	-------------	----------