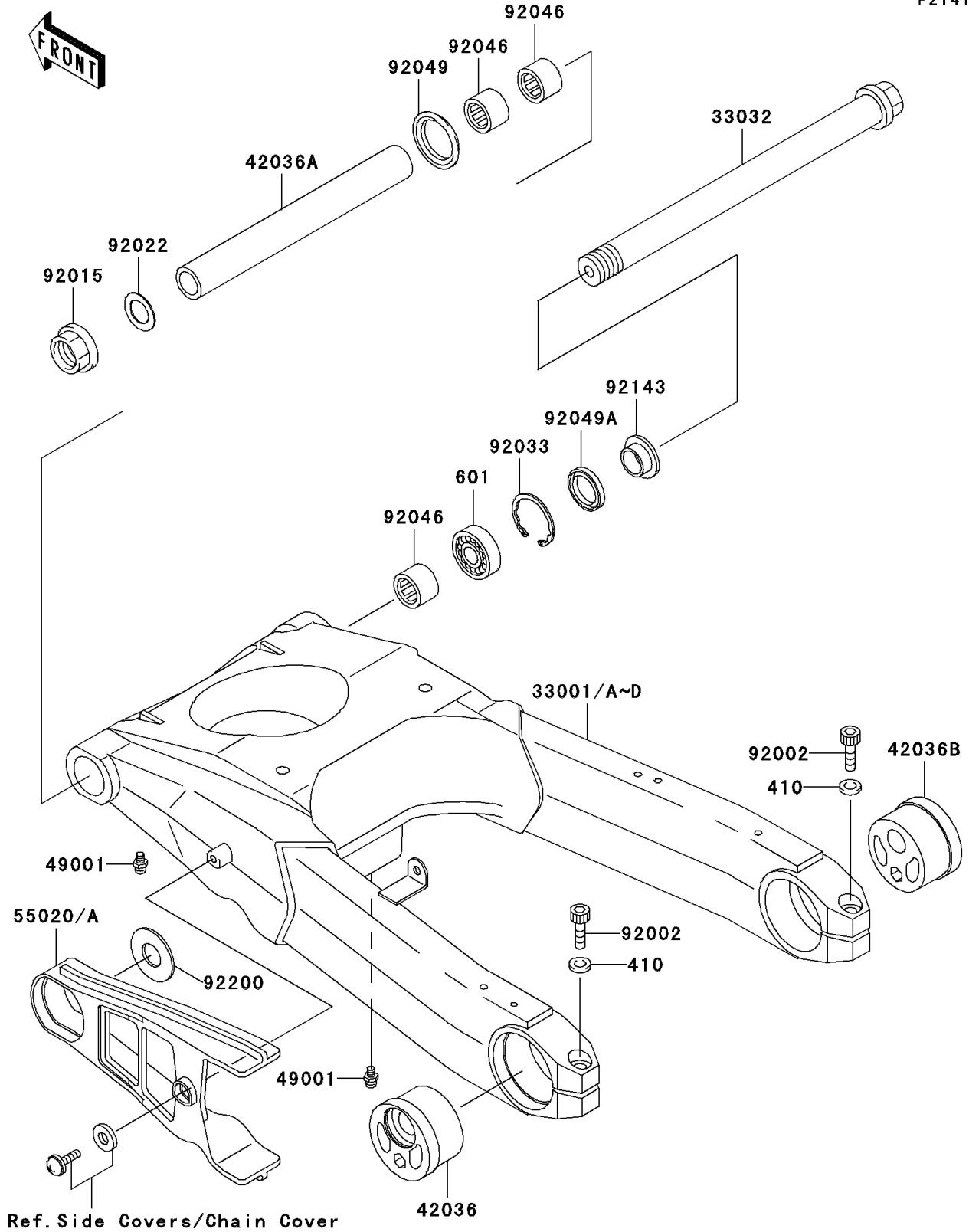


1995 Ninja® ZX™ -11 PARTS DIAGRAM

Swingarm

F2141



1995 Ninja® ZX™ -11 PARTS LIST

Swingarm

| ITEM NAME | PART NUMBER | QUANTITY |
|--|---------------|----------|
| W-PLAIN-S (Ref # 410) | 410E1000 | 2 |
| BEARING-BALL,#6004 (Ref # 601) | 601A6004 | 1 |
| SHAFT-SWING ARM (Ref # 33032) | 33032-1170 | 1 |
| SLEEVE,REAR AXLE,LH (Ref # 42036) | 42036-1153 | 1 |
| SLEEVE,SWING ARM,L=237 (Ref # 42036A) | 42036-1264 | 1 |
| SLEEVE,REAR AXLE,RH (Ref # 42036B) | 42036-1265 | 1 |
| NIPPLE-GREASE (Ref # 49001) | 49001-1051 | 2 |
| GUARD,CHAIN (Ref # 55020A) | 55020-1528 | 1 |
| BOLT,SOCKET,10X40 (Ref # 92002) | 92002-1452 | 2 |
| NUT,FLANGED,20MM (Ref # 92015) | 92015-1724 | 1 |
| WASHER,THRUST,20.5MM (Ref # 92022) | 92022-1280 | 1 |
| RING-SNAP,42MM (Ref # 92033) | 92033-1041 | 1 |
| BEARING-NEEDLE,BM283417 (Ref # 92046) | 92046-1111 | 3 |
| SEAL-OIL (Ref # 92049) | 92049-1181 | 1 |
| SEAL-OIL,MHSA25 42 6 (Ref # 92049A) | 92049-1314 | 1 |
| COLLAR,SWING ARM,L=12.5 (Ref # 92143) | 92143-1227 | 1 |
| WASHER,20.3X48X2.3 (Ref # 92200) | 92200-1167 | 1 |
| ARM-COMP-SWING,G.GRAY (Ref # 33001C) | 33001-1483-GD | 1 |
| ARM-COMP-SWING,SILVER NO.35 (Ref # 33001D) | 33001-1483-VZ | 1 |