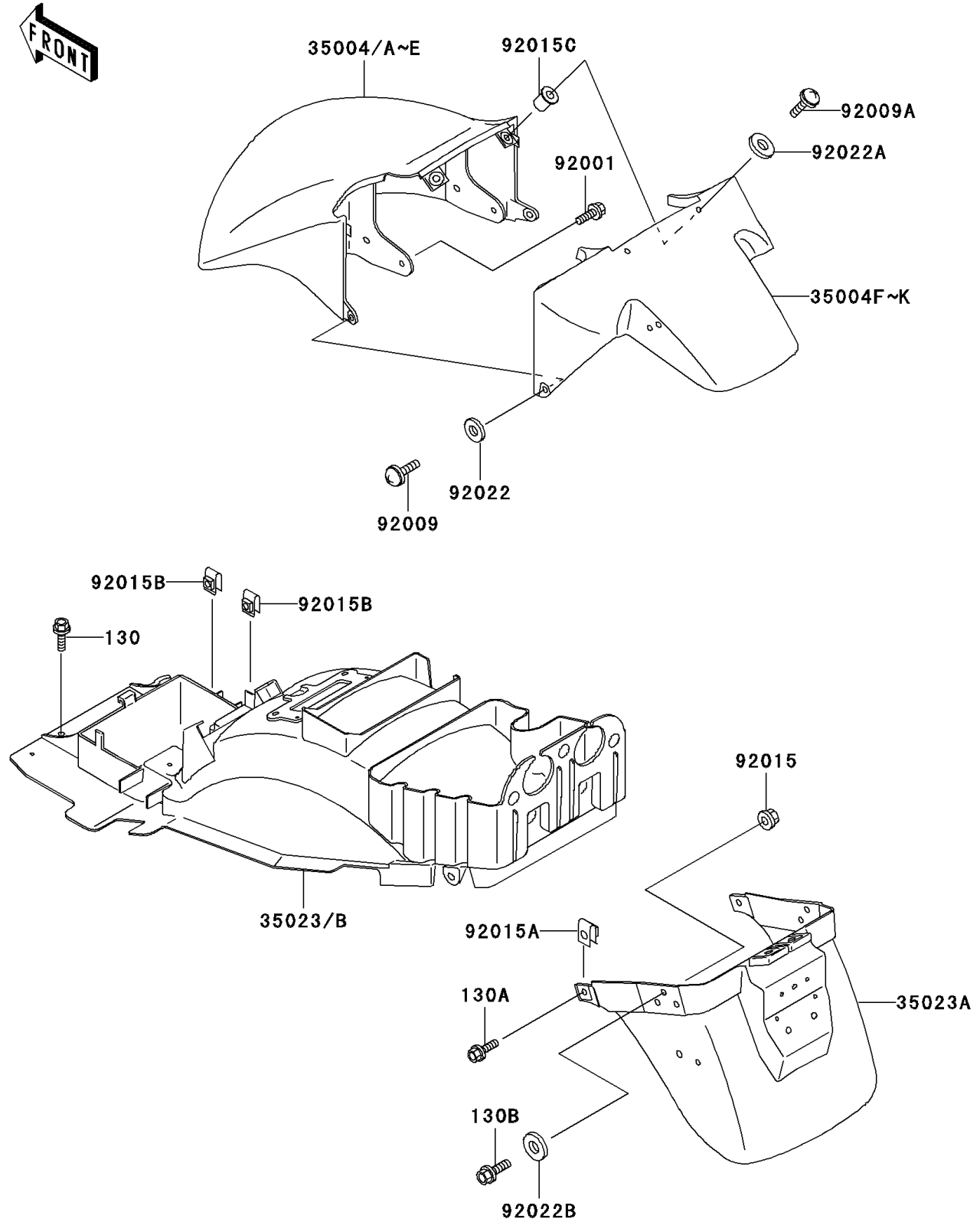


# 1994 Ninja® ZX™ -11 PARTS DIAGRAM

Fenders

F2170



# 1994 Ninja® ZX™ -11 PARTS LIST

## Fenders

| ITEM NAME                                | PART NUMBER   | QUANTITY |
|--|---------------|----------|
| BOLT-FLANGED (Ref # 130)                 | 130J0612      | 2        |
| BOLT-FLANGED,6X14,BLACK (Ref # 130A)     | 130J0614      | 2        |
| BOLT-FLANGED (Ref # 130B)                | 130J0620      | 2        |
| FENDER-REAR,RR (Ref # 35023A)            | 35023-1349    | 1        |
| BOLT,W/SP,6X16 (Ref # 92001)             | 92001-1763    | 4        |
| SCREW,6X14 (Ref # 92009)                 | 92009-1611    | 2        |
| SCREW,5X18 (Ref # 92009A)                | 92009-1655    | 2        |
| NUT,FLANGED,6MM (Ref # 92015)            | 92015-1078    | 2        |
| NUT,6MM (Ref # 92015A)                   | 92015-1094    | 2        |
| NUT,6MM (Ref # 92015B)                   | 92015-1671    | 2        |
| NUT,WELL,5MM (Ref # 92015C)              | 92015-1757    | 2        |
| WASHER,6.5X16X1 (Ref # 92022)            | 92022-1143    | 2        |
| WASHER,NYLON,5.3X11.5X1.5 (Ref # 92022A) | 92022-1521    | 2        |
| WASHER,6.5X16X2 (Ref # 92022B)           | 92022-1565    | 2        |
| FENDER-FRONT,FR,P.G.BLACK (Ref # 35004A) | 35004-1309-RL | 1        |
| FENDER-FRONT,FR,P.G.BLACK (Ref # 35004E) | 35004-1309-86 | 1        |
| FENDER-FRONT,RR,P.G.BLACK (Ref # 35004G) | 35004-1310-RL | 1        |
| FENDER-FRONT,RR,P.G.BLACK (Ref # 35004K) | 35004-1310-86 | 1        |
| FENDER-REAR,FR (Ref # 35023)             | 35023-1343    | 1        |
| FENDER-REAR,FR (Ref # 35023B)            | 35023-1351    | 1        |