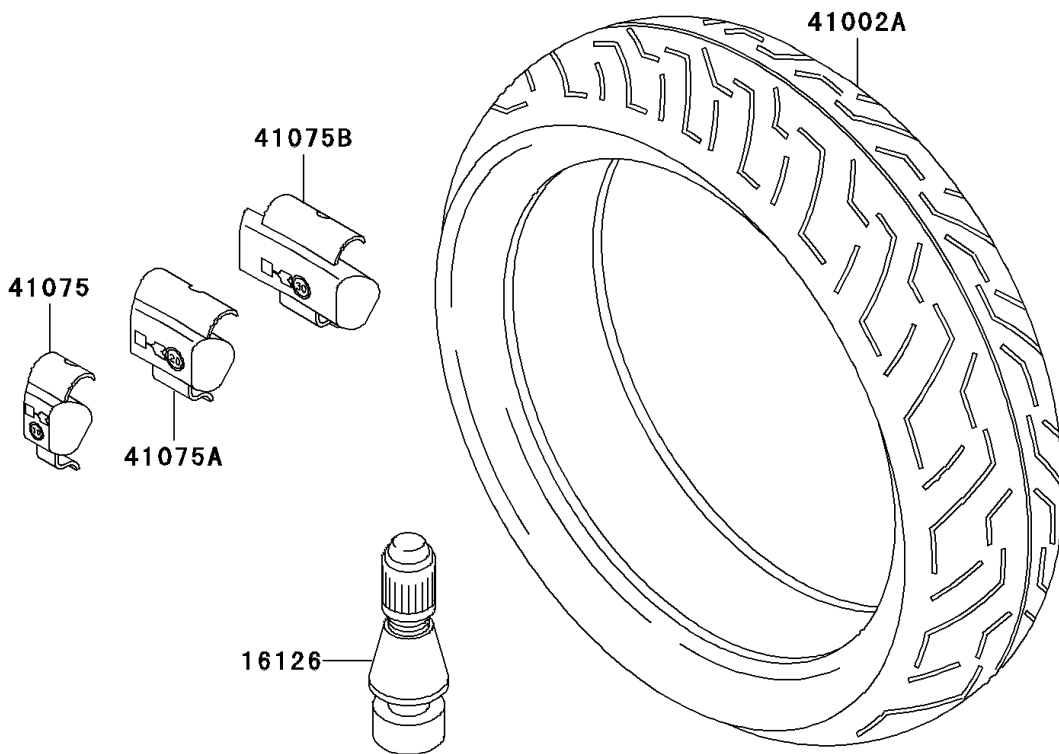
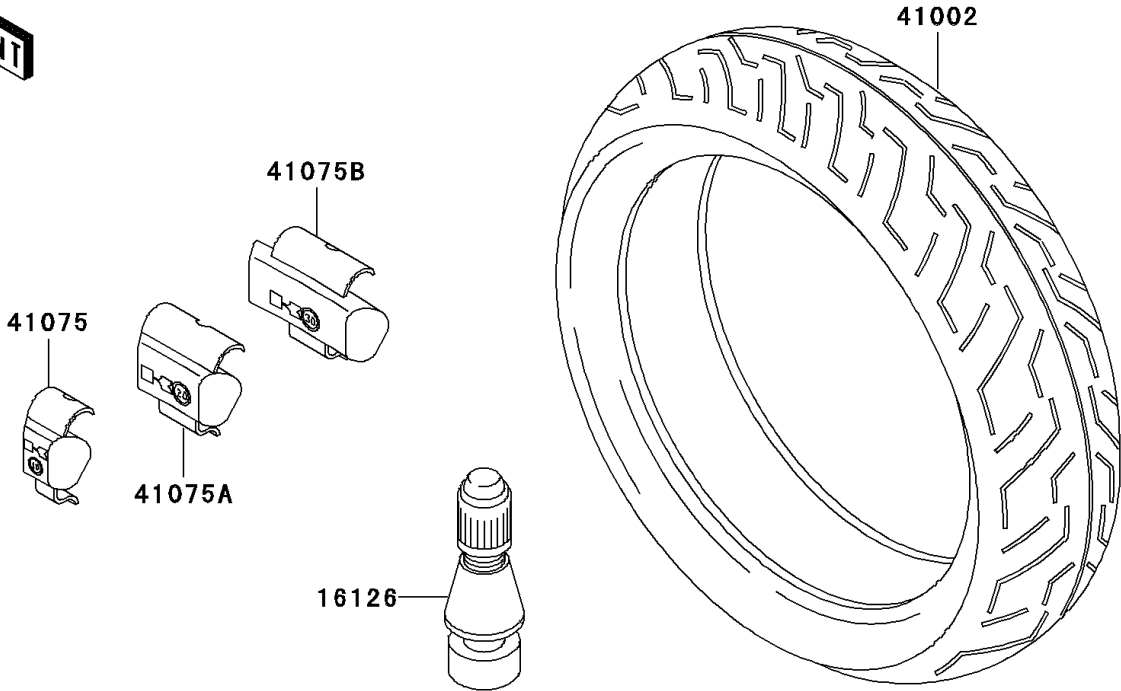


1995 Ninja® ZX™ -11 PARTS DIAGRAM

Tires

F2210



1995 Ninja® ZX™ -11 PARTS LIST

Tires

ITEM NAME	PART NUMBER	QUANTITY
VALVE,TIRE (Ref # 16126)	16126-1140	2
TIRE,FR,120/70ZR17,B50F(BS) (Ref # 41002)	41002-1948	1
TIRE,RR,180/55ZR17,B50RCZ(BS) (Ref # 41002A)	41002-1949	1
BALANCER-WHEEL,10G,SILVER (Ref # 41075)	41075-1014	AR
BALANCER-WHEEL,20G,SILVER (Ref # 41075A)	41075-1015	AR
BALANCER-WHEEL,30G,SILVER (Ref # 41075B)	41075-1016	AR