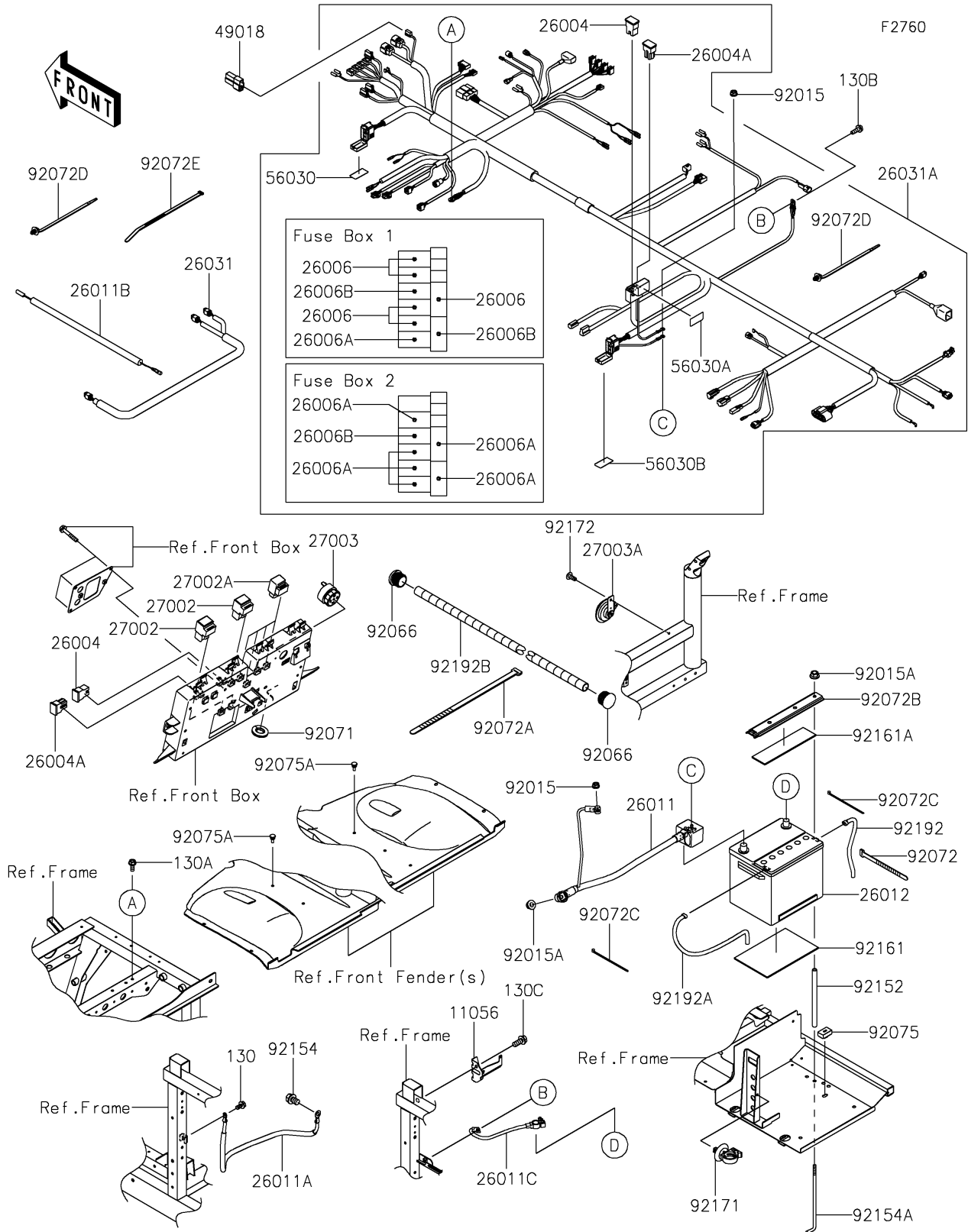


2022 MULE PRO-DXT™ EPS DIESEL FE PARTS DIAGRAM

Chassis Electrical Equipment



2022 MULE PRO-DXT™ EPS DIESEL FE PARTS LIST

Chassis Electrical Equipment

ITEM NAME	PART NUMBER	QUANTITY
BRACKET,FUSE (Ref # 11056)	11056-7478	1
FUSE-ASSY,60A (Ref # 26004)	26004-0024	2
FUSE-ASSY,40A (Ref # 26004A)	26004-0035	2
FUSE,MINI BLADE,10A,RED (Ref # 26006)	26006-0009	5
FUSE,MINI BLADE,30A,GREEN (Ref # 26006A)	26006-1080	7
FUSE,MINI BLADE,20A,YELLOW (Ref # 26006B)	26006-3704	3
WIRE-LEAD,BATTERY(+) (Ref # 26011)	26011-0904	1
WIRE-LEAD,ENGINE GND (Ref # 26011A)	26011-0905	1
WIRE-LEAD,OIL PRESSURE SW. (Ref # 26011B)	26011-0906	1
WIRE-LEAD,BATTERY(-) (Ref # 26011C)	26011-0912	1
BATTERY,WET,(26R) (Ref # 26012)	26012-7501	1
HARNESS,SUB (Ref # 26031)	26031-2226	1
HARNESS,MAIN (Ref # 26031A)	26031-2828	1
RELAY-ASSY (Ref # 27002)	27002-0012	3
RELAY-ASSY (Ref # 27002A)	27002-1062	4
HORN,PARKING BUZZER (Ref # 27003)	27003-0116	1
HORN (Ref # 27003A)	27003-1330	1
DIODE (Ref # 49018)	49018-0006	1
LABEL,FUSE BOX1 (Ref # 56030)	56030-0917	1
LABEL,FUSE BOX3 (Ref # 56030A)	56030-0918	1
LABEL,FUSE BOX2 (Ref # 56030B)	56030-0919	1
NUT,FLANGED,6MM (Ref # 92015)	92015-1367	2
NUT,FLANGED,8MM (Ref # 92015A)	92015-1406	2
PLUG (Ref # 92066)	92066-0908	2
GROMMET,22X45X9 (Ref # 92071)	92071-0729	1
BAND,L=123 (Ref # 92072)	92072-030	1
BAND,L=218 (Ref # 92072A)	92072-032	2
BAND (Ref # 92072B)	92072-0767	1
BAND,92X2.4 (Ref # 92072C)	92072-0791	2

2022 MULE PRO-DXT™ EPS DIESEL FE PARTS LIST

Chassis Electrical Equipment

ITEM NAME	PART NUMBER	QUANTITY
BAND,OS170-FT7(BLACK) (Ref # 92072D)	92072-1414	36
BAND,L=292.1 (Ref # 92072E)	92072-3509	18
DAMPER (Ref # 92075)	92075-099	1
DAMPER,6X10X15 (Ref # 92075A)	92075-1808	2
COLLAR,9.4X12.7X190.8 (Ref # 92152)	92152-1852	1
BOLT,FLANGED,10X14 (Ref # 92154)	92154-1383	1
BOLT,BATTERY (Ref # 92154A)	92154-1650	1
DAMPER (Ref # 92161)	92161-0578	1
DAMPER (Ref # 92161A)	92161-1753	1
CLAMP (Ref # 92171)	92171-0453	1
SCREW,TAPPING,6X16 (Ref # 92172)	92172-0739	1
TUBE,BREATHER,7X10X240 (Ref # 92192)	92192-1646	1
TUBE,BREATHER,7X10X450 (Ref # 92192A)	92192-1694	1
TUBE,CONVOLUTED (Ref # 92192B)	92192-1814	1
BOLT-FLANGED,6X12 (Ref # 130)	130BA0612	1
BOLT-FLANGED,6X16 (Ref # 130A)	130BA0616	1
BOLT-FLANGED,6X18 (Ref # 130B)	130BA0618	1
BOLT-FLANGED,8X20 (Ref # 130C)	130BA0820	1