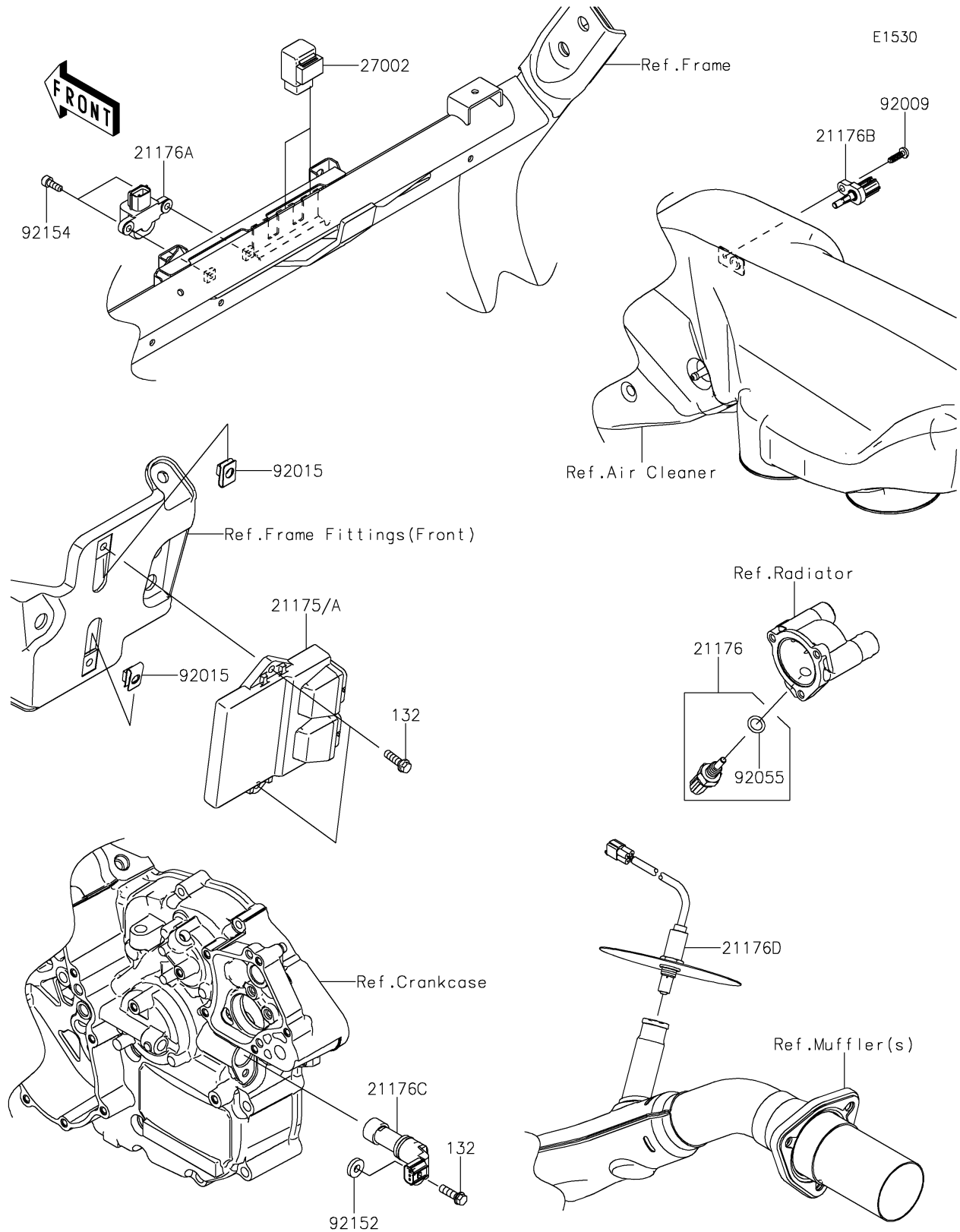


2024 TERYX® S LE PARTS DIAGRAM

Fuel Injection



2024 TERYX® S LE PARTS LIST

Fuel Injection

ITEM NAME	PART NUMBER	QUANTITY
SENSOR,WATER TEMP (Ref # 21176)	21176-0009	1
SENSOR,VEHICLE-DOWN (Ref # 21176A)	21176-0026	1
SENSOR,AIR TEMPERATURE (Ref # 21176B)	21176-0048	1
SENSOR,SPEED (Ref # 21176C)	21176-0712	1
SENSOR,OXYGEN (Ref # 21176D)	21176-0935	1
RELAY-ASSY (Ref # 27002)	27002-1062	2
SCREW,TAPPING,5X16 (Ref # 92009)	92009-1984	1
NUT,6MM (Ref # 92015)	92015-1602	2
RING-O,9.5X1.9 (Ref # 92055)	92055-0016	1
COLLAR,6.5X16X3.2 (Ref # 92152)	92152-1975	1
BOLT,SOCKET,5X14 (Ref # 92154)	92154-1841	2
BOLT-FLANGED-SMALL,6X20 (Ref # 132)	132BA0620	3